

FA 500# BOX MOUNTING INSTRUCTIONS

1. WHEN MOUNTING THE MODEL FA 500# BOX THERE ARE MANY THINGS TO CONSIDER BEFORE STARTING. (Figure 1)

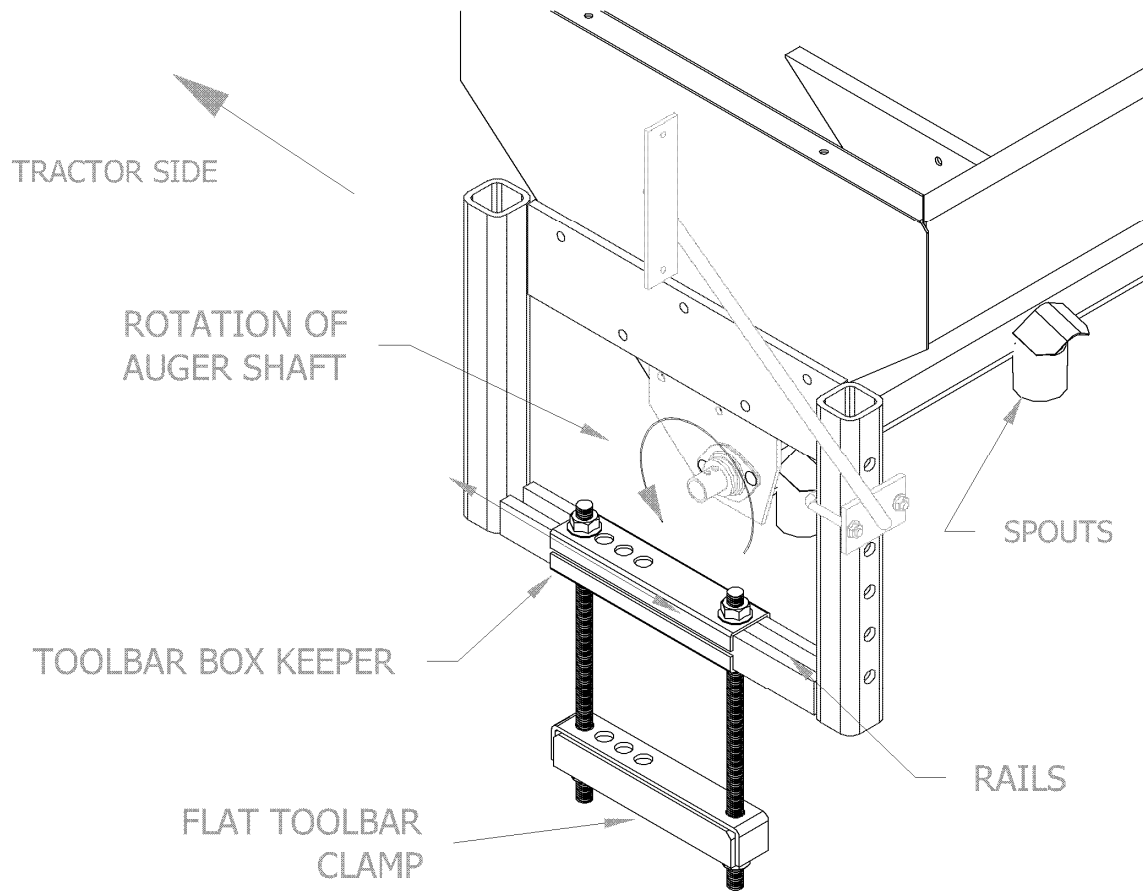


Figure 1

- A. FIRST, ALL BOXES ARE MADE WHERE THE SPOUTS ON THE BOXES FACE AWAY FROM TRACTOR. THIS IS VERY IMPORTANT WHEN MOUNTING GROUND DRIVE FOR CORRECT ROTATION OF AUGER SHAFT. ALSO, IF USING HYDRAULIC DRIVE, CHECK FOR CORRECT ROTATION.
 - B. IS THE BOX GOING TO BE IN THE BEST LOCATION CLEARING ALL OTHER PARTS AND EQUIPMENT? MARK THE LOCATION FOR THE BOX(S) PER DESIRED ROW SPACING.
 - C. CHECK FOR PROPER HOSE ROUTING. THERE SHOULD NOT BE ANY SHARP BENDS, KEEP IN MIND HOW THE MATERIAL WILL FLOW IN HOSES. IS THERE ENOUGH FALL FOR THE MATERIAL IN HOSES. HOSES NEED TO BE AS STRAIGHT UP & DOWN AS POSSIBLE.
 - D. IF USING GROUND DRIVE OPTION, DETERMINE WHERE THE WHEEL WILL BE MOUNTED. THIS MAY EFFECT HOW YOU WANT THE BOXES MOUNTED
 - E. THE MOUNTS HAVE OPEN RAILS IN CENTER TO ALLOW THE BOXES TO MOVE FORWARD AND BACK OVER THE TOOLBAR.
- ❖ FIRST PRODUCTS OFFERS ANGLE FRAME (PITTSBURGH), FLAT TOOLBAR, AND DIAMOND TOOLBAR MOUNTS TO FIT MOST COMMON TOOLBAR CONFIGURATIONS, HOWEVER SOME APPLICATIONS MAY REQUIRE SPECIAL BUILT CUSTOM MOUNTS NOT PROVIDED.

2. INSTALLING THE GROUND DRIVE BOX MOUNT. (Figure 2)

- A. IF MOUNTING A 2 ROW APPLICATOR AND YOU WANT THE WHEEL IN A HARD MIDDLE. FIGURE 2, SHOWS THE GROUND DRIVE WHEEL MOUNTED FOR 96" WHEEL CENTERS. THE JACK SHAFT EXTENSION IS MADE TO WORK FOR 72" TO 96" WHEEL CENTERS. ANYTHING NARROWER WILL WORK, BUT JACK SHAFT EXTENSION WILL HAVE TO BE SHORTENED.

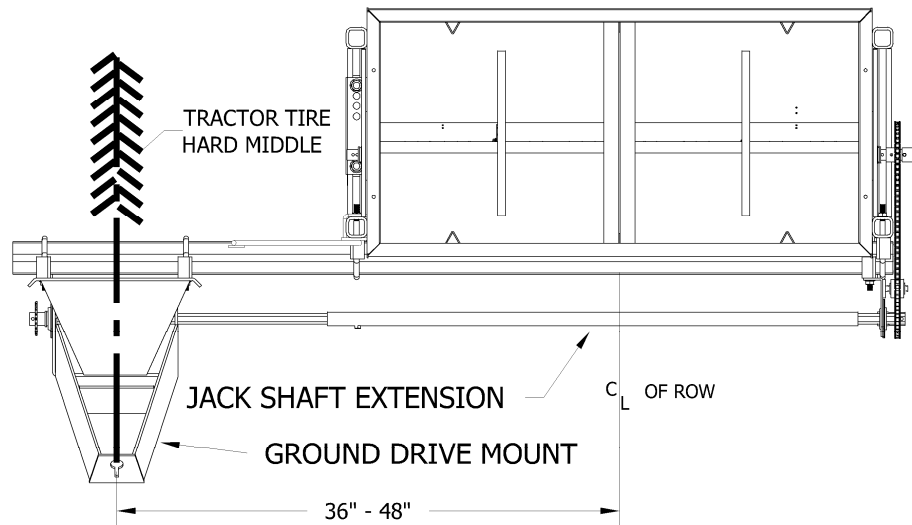


Figure 2

- B. TO MOUNT WHEEL IN THE SOFT PAN ON A FOUR ROW SET UP (2 BOXES), THE ABOVE WILL STILL APPLY.
- C. WHEN MOUNTING THE GROUND DRIVE WHEEL BEHIND AND IN CENTER OF BOX, THE JACK SHAFT EXTENSION IS NOT REQUIRED.
3. INSTALLING REACH. (Figure 3)

THERE ARE TWO REACHES AVAILABLE, 12 & 48 INCHES. EACH REACH IS INSTALLED THE SAME. MOUNT REACH TO GROUND DRIVE BOX MOUNT WITH SWIVEL PIN SUPPLIED. PUT FREE END OF HANGER CHAIN IN KEY HOLE IN GROUND DRIVE MOUNT TO HOLD THE REACH UP WHILE INSTALLING GROUND DRIVE.

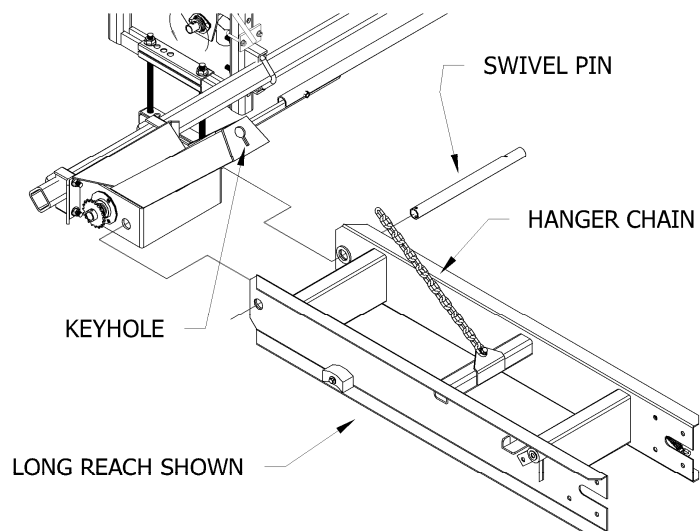


Figure 3

4. INSTALLING GROUND DRIVE TO REACH. (Figure 4)

- A. REMOVE THE HARDWARE FROM EACH SIDE OF THE GROUND DRIVE. REMOVE SPROCKET FOR EASY ACCESS TO HARDWARE
- B. PLACE DRIVE IN REACH AND INSTALL HARDWARE, DO NOT TIGHTEN.
- C. THERE ARE SLOTS IN THE SIDE OF THE GROUND DRIVE FRAME FOR ADJUSTING WHEEL CONTACT TO GROUND WITH RESPECT TO THE POSITION OF THE BOX. ADJUST WHEEL TO DESIRED ANGLE AND TIGHTEN HARDWARE. THE HANGER CHAIN SHOULD NOT HAVE ANY PRESSURE ON IT WHILE DOING THIS.
- D. ADJUST HANGER CHAIN TO WHERE THE WHEEL CLEARS GROUND WHEN EQUIPMENT IS RAISED.
- E. REINSTALL SPROCKET REMOVED IN STEP (a.), AND INSTALL CHAIN SUPPLIED WITH REACH.
- F. THE IDLERS HAVE A LOCK TAB TO HOLD THEM IN PLACE WHILE INSTALLING CHAIN OR CHANGING RATES. ALSO, THERE IS AN IDLER STOP BOLTED ONTO FRAME TO KEEP IDLER FROM LOCKING OUT IN THE EVENT THE WHEEL ROTATES BACKWARDS. YOU MUST SWING IDLER STOP OUT OF THE WAY TO LOCK THE IDLER IN PLACE. THE IDLER LOCK TAB IS THE SAME ON THE GROUND DRIVE.

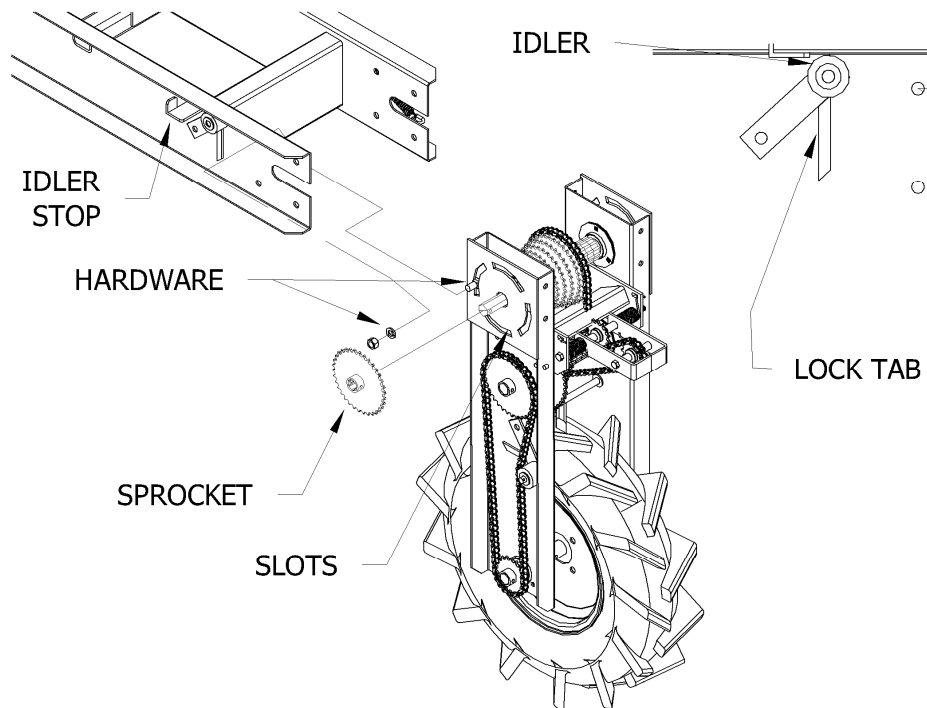


Figure 4

5. INSTALLING BOX CONNECTOR (Figure 5)

ONE GROUND TRANSMISSION CAN DRIVE UP TO THREE FA500# BOXES. WITH EXTENSIONS ADDED A BOX CONNECTOR(S) IS SUPPLIED TO CONNECT THE AUGER SHAFTS OF THE BOXES TOGETHER. THE BOX CONNECTOR IS MADE TO WORK FOR 36-48 INCH ROW WIDTHS. ANYTHING NARROWER, THE BOX CONNECTOR WILL HAVE TO BE SHORTENED. AFTER EACH END IS CONNECTED, TIGHTEN THE BOLT IN THE SHAFT COLLAR.

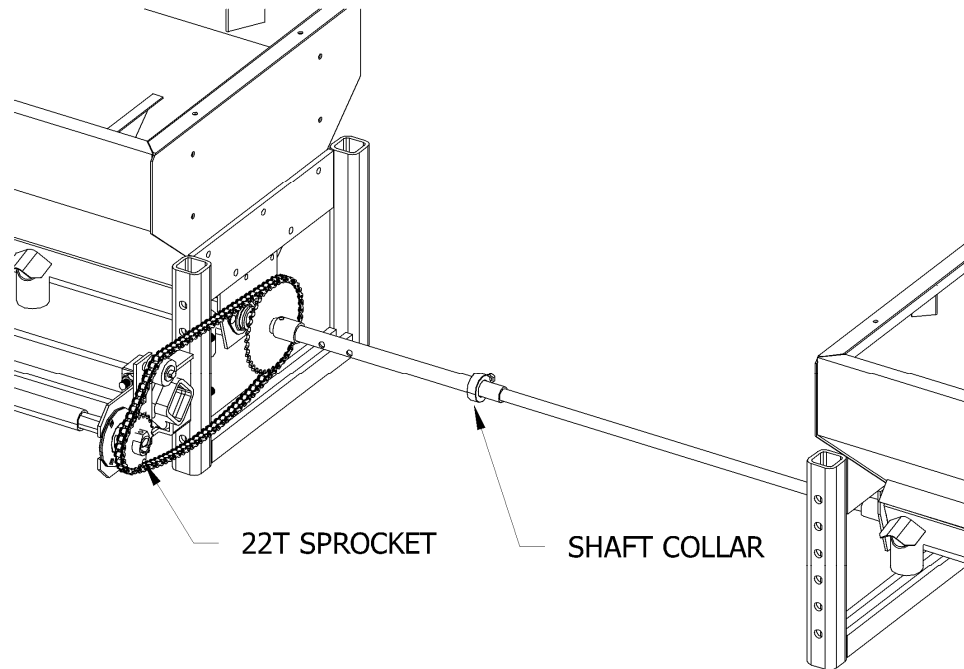


Figure 5

6. INSTALL SLOW MOVING VEHICLE SIGN BRACKET AS SHOWN IN FIGURE 5.

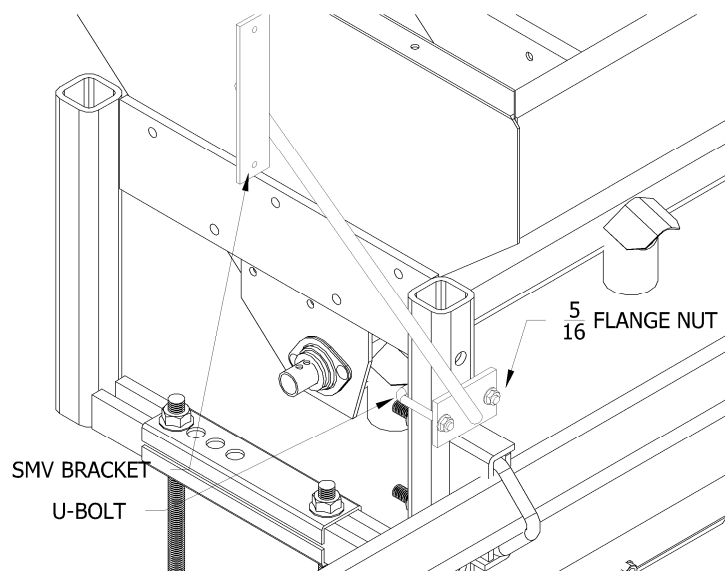


Figure 6

7. HYDRAULIC DRIVE. (Figure 7)

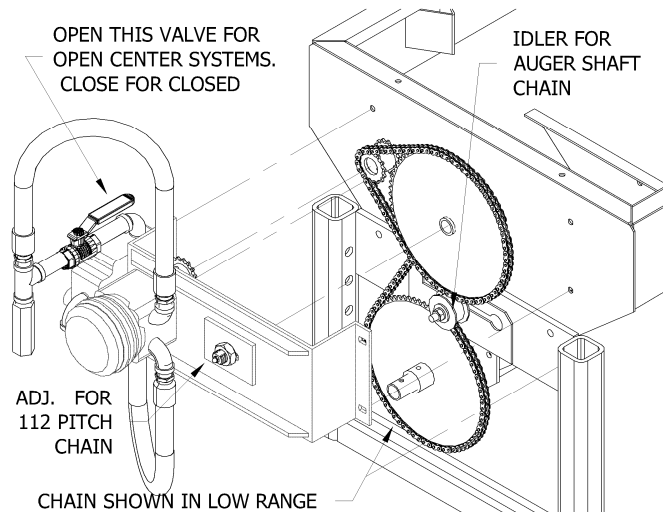


Figure 7 (LOW RANGE SETTING)

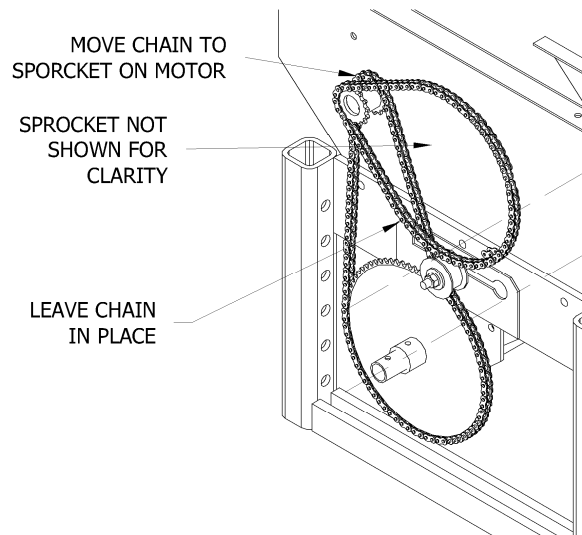


Figure 8 (HIGH RANGE SETTING)

- A. THE HYDRAULIC IS ALREADY ASSEMBLED.
 - B. REMOVE PLUGS ON SIDE OF BOX, INSTALL PER INSTRUCTION. REFER TO CHART TO DETERMINE WHAT SPEED NEEDED BEFORE INSTALLING CHAIN ON AUGER SHAFT.
 - C. IF TRACTOR HAS A CLOSED CENTER HYDRAULIC SYSTEM CLOSE THE VALVE, IF ITS AN OPEN CENTER SYSTEM, OPEN THE VALVE.
8. PLACE RATE CHART ON BOX IN DESIRED LOCATION.