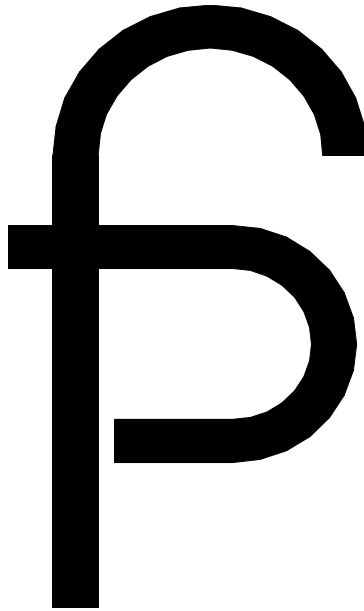


# PARTS LIST



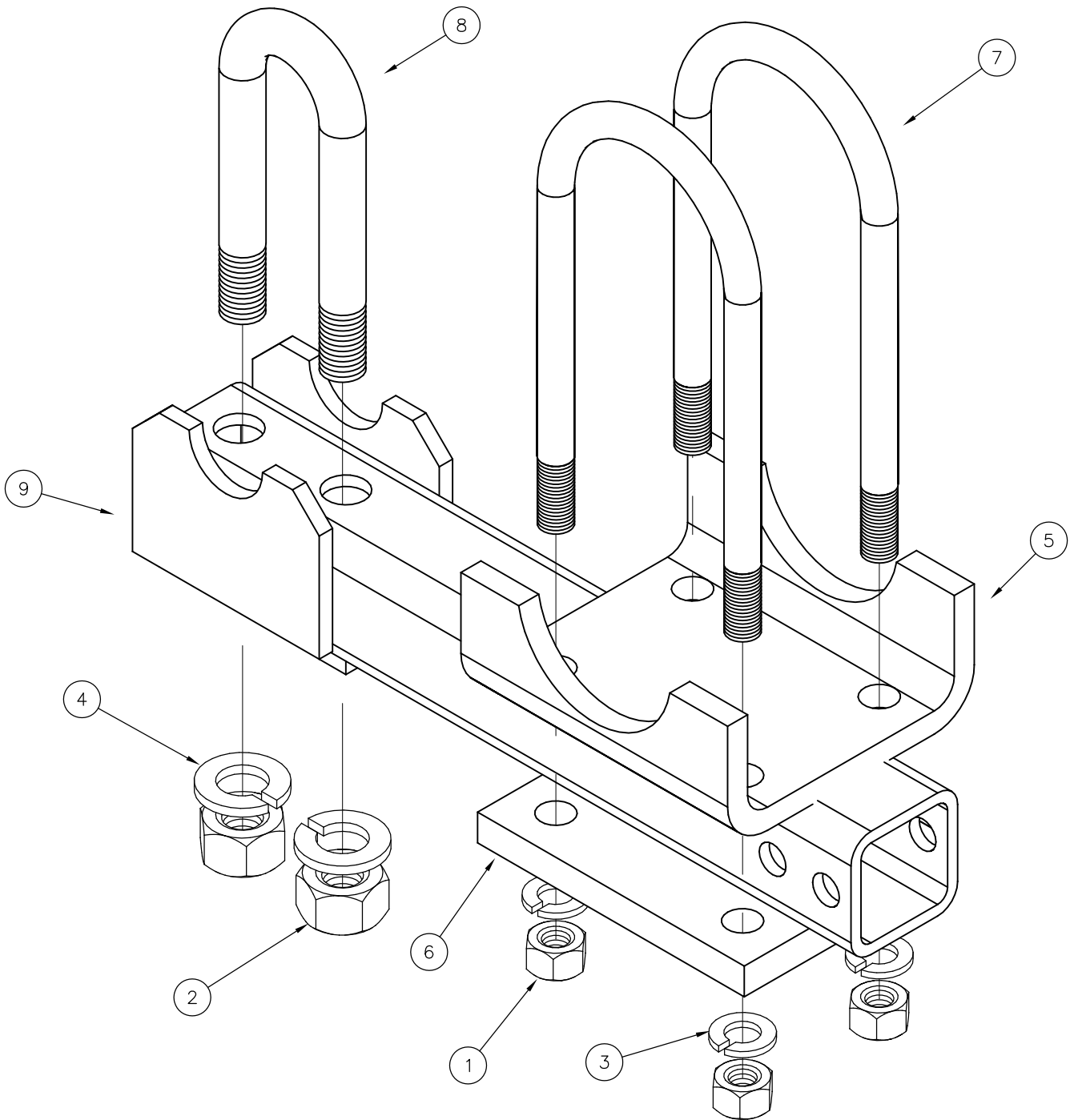
## FERTILIZER OPENERS

Round Shank Standard Supports
1 3/8" RS "S" Tine Openers
1 3/8" Round Shank
ME & White 13-1/2"
Monosem 13-1/2"
Case IH 13-1/2"
ME & White 15"
Monosem 15"
Case IH 15"

FIRST PRODUCTS INC.  
164 Oakridge Church Road  
Tifton, Georgia 31794 U.S.A.  
Phone 800-363-8780  
Georgia (229) 382-4768  
Fax (229) 382-0506

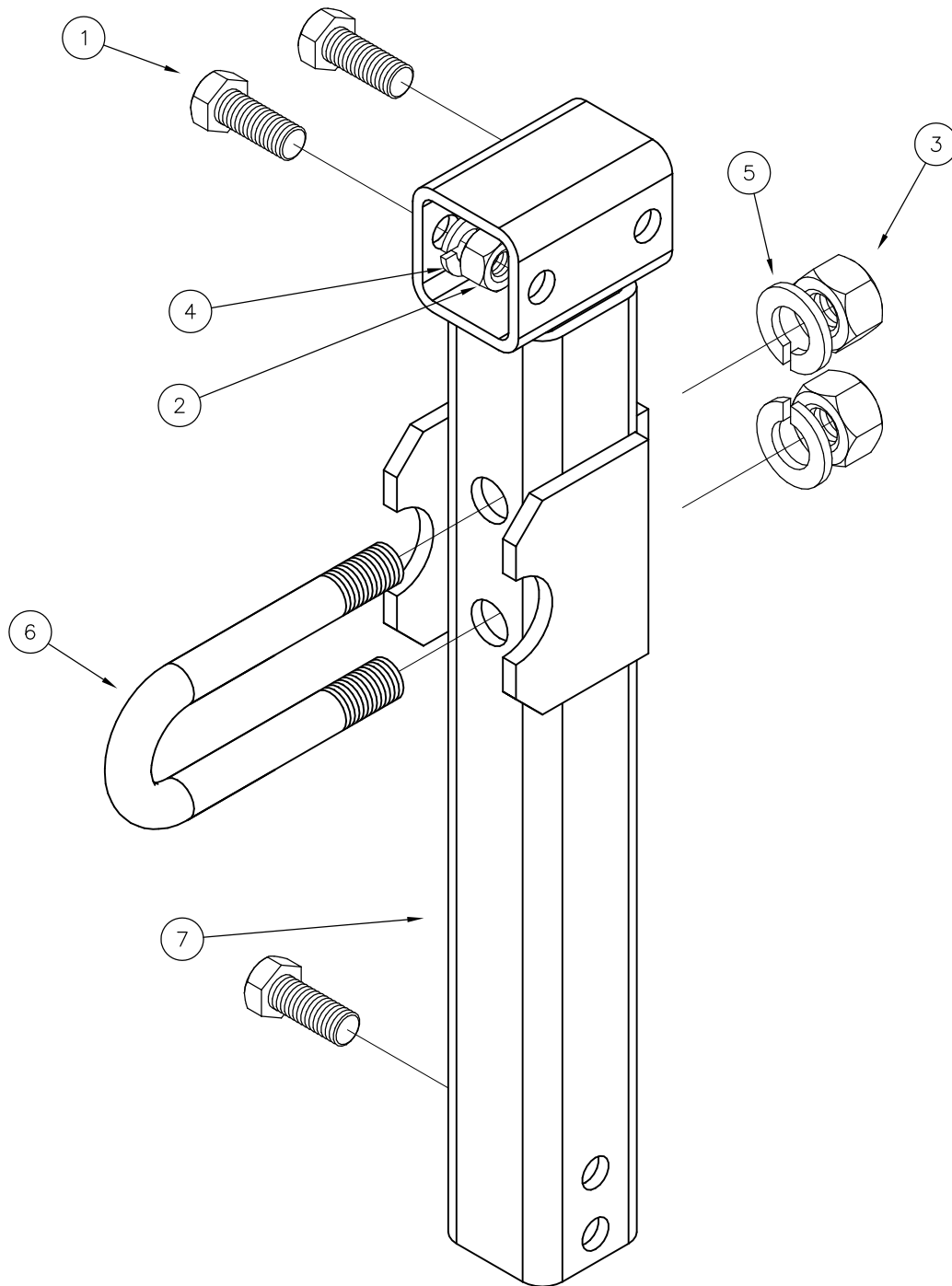


# 1 3/8" ROUND SHANK ROLLING CULTIVATOR SUPPORT



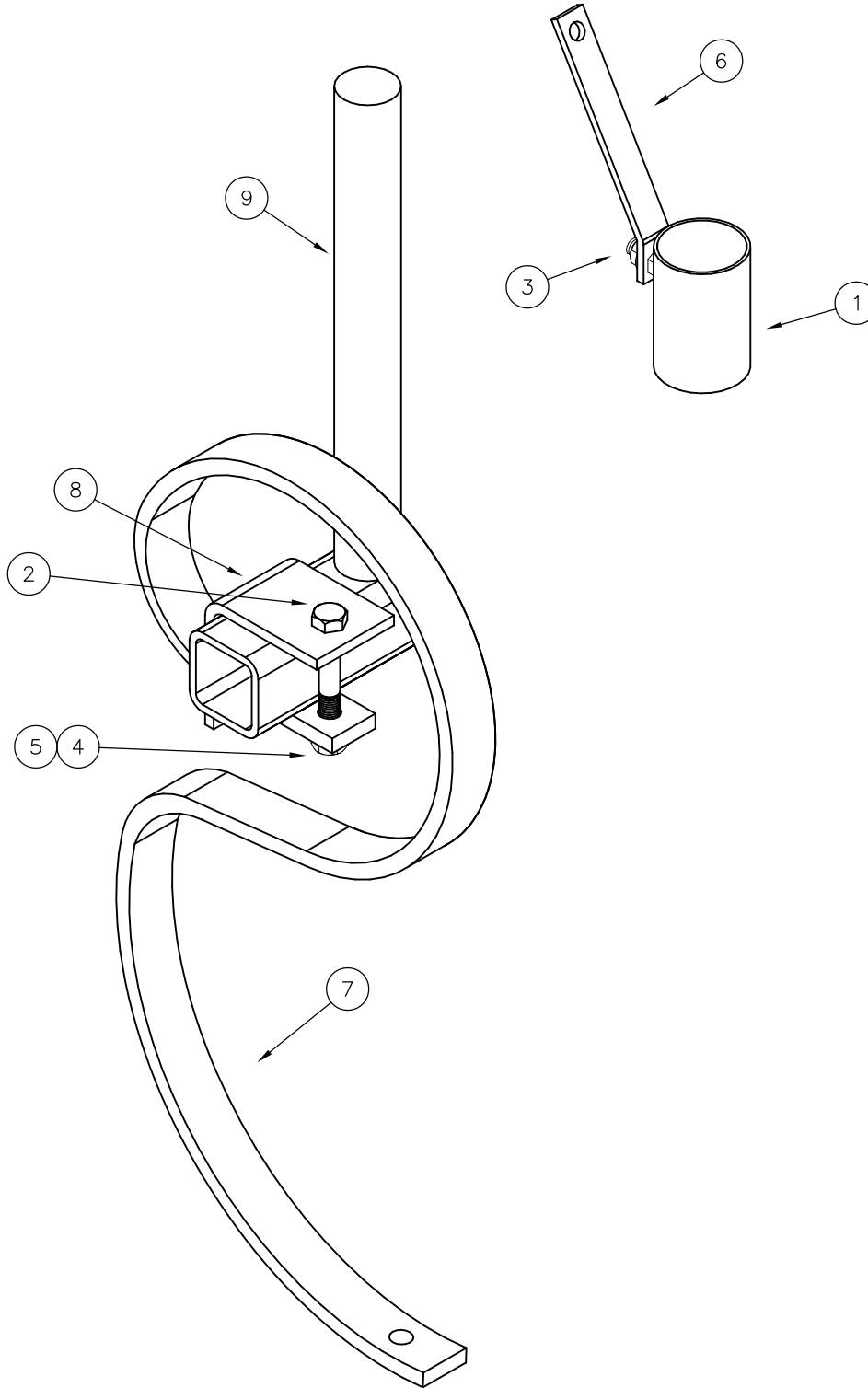
ITEM	PART NO	DESCRIPTION	QTY
1	HW20016G5ZPC	1/2" Nut	4
2	HW20020G5ZPC	5/8" Nut	2
3	HW32016G5ZP	1/2" Lock Washer	4
4	HW32020G5ZP	5/8" Lock Washer	2
5	SS23-003	Shank Clamp	1
6	SS23-004	Shank Cross Bar Plate	1
7	SS50-001	"U" Bolt 1/2" X 3 1/2"	2
8	SS50-002	"U" Bolt 5/8" X 2"	1
9	SS80-001	R.C. Shank Cross Bar	1

# 1 3/8" ROUND SHANK PITTSBURGH STANDARD SUPPORT



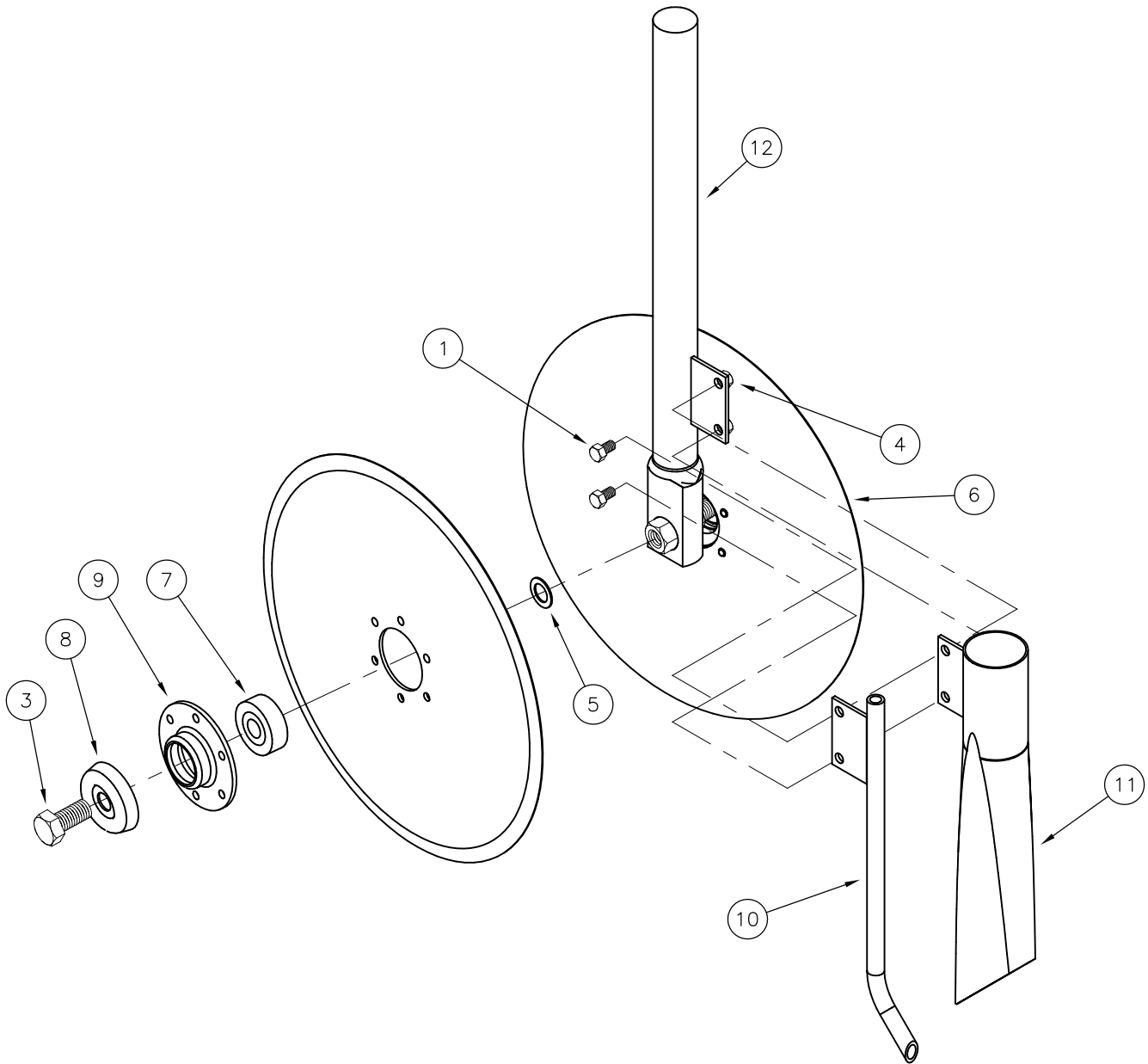
ITEM	PART NO	DESCRIPTION	QTY
1	HW01014040G5ZPC	7/16" X 1 1/4" HCS	3
2	HW20014G5ZPC	7/16" Nut	3
3	HW20020G5ZPC	5/8" Nut	2
4	HW32014G5ZP	7/16" Lock Washer	3
5	HW32020G5ZP	5/8" Lock Washer	2
6	SS50-002	"U" Bolt 5/8" X 2"	1
7	SS80-002	P.B. Standard Support	1

# 1 3/8" "S" TINE OPENER



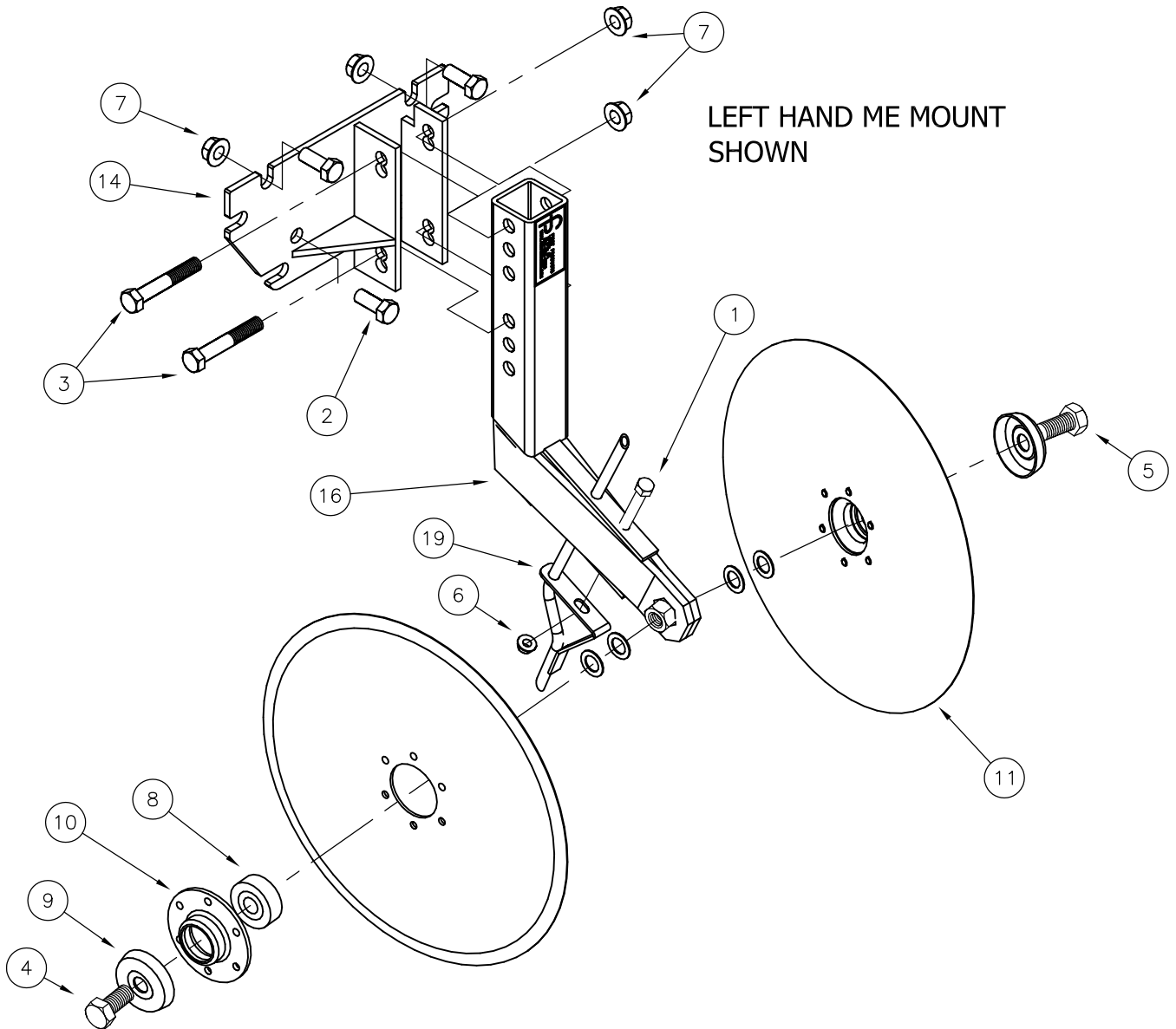
ITEM	PART NO	DESCRIPTION	QTY	ITEM	PART NO	DESCRIPTION	QTY
1	FB80-025	Gang Hose Pipe ("S" Tine Spout)	1	6	RS23-002	"S"Tine Hose Spout Holder	1
2	HW01014096G5ZPC	7/16" X 3" Hex Capscrew	1	7	RS50-002	"S" Tine	1
3	HW20012SSPLC	3/8" SS Flange Lock Nut	1	8	RS50-003	"S" Tine Clamp	1
4	HW20014G5ZPC	7/16" Hex Nut	1	9	RS80-004	1 3/8" Round Shank "S" Tine Mount	1
5	HW32014G5ZP	7/16" Lock Washer	1				

# 1 3/8" ROUND SHANK DOUBLE DISK OPENER (13-1/2" DISC)



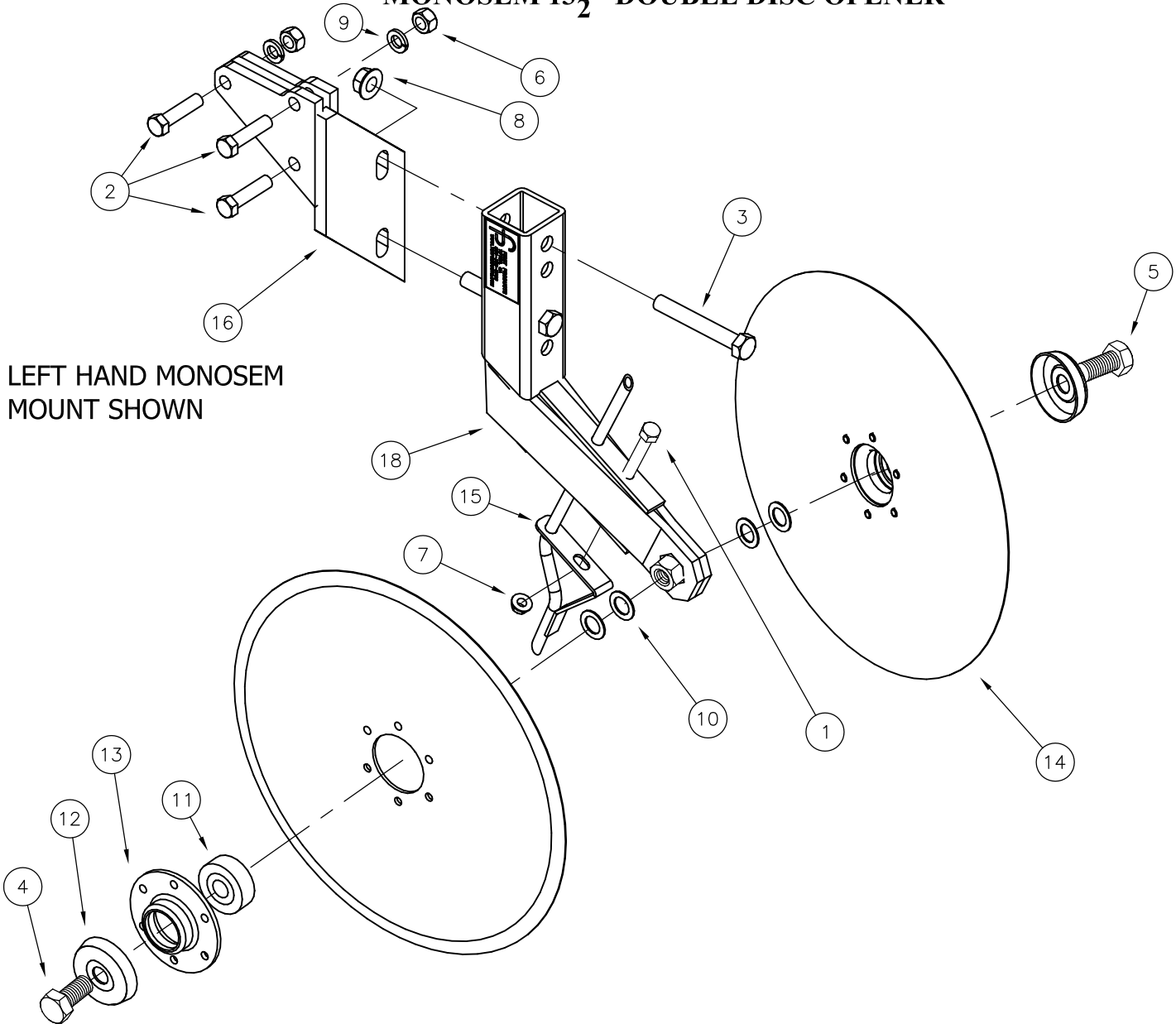
ITEM	PART NO	DESCRIPTION	QTY
1	HW01010016G2ZPC	5/16" x 1/2" Capscrew	2
2	HW01020040G5ZPC	5/8" x 1 1/4" Hex Capscrew, RH	1
3	HW01020040G5ZPD	5/8" x 1 1/4" Hex Capscrew, LH	1
4	HW22010G5ZPC	5/16" Flange Lock Nut	2
5	HW6002003218GZP	1" OD x 5/8" ID x 18 GA Washer	2
6	ME50-001	Disc Assembly (With Bearing & Flange)	2
7	ME50-002	Disc Bearing	2
8	ME50-008	97 Bolt On Cap	2
9	ME50-009	97 Disc Bearing Flange	2
10	RS80-001	Liquid Tube	1
11	RS80-002	Dry Tube	1
12	RS80-003	1 3/8" Round Shank	1

# ME 13 $\frac{1}{2}$ " DOUBLE DISC OPENER



ITEM	PART NO	DESCRIPTION	QTY
1	HW01010096G2ZPC	5/16" X 3" Hex Capscrew	1
2	HW01016032G5ZPC	1/2" X 1" Hex Capscrew	0
3	HW01016096G5ZPC	1/2" X 3" Hex Capscrew	2
4	HW01020040G5ZPC	5/8" x 1 1/4" Hex Capscrew, RH	1
5	HW01020040G5ZPD	5/8" x 1 1/4" Hex Capscrew, LH	1
6	HW22010G5ZPC	5/16" Flange Lock Nut	1
7	HW22016G5ZPC	1/2" Flange Lock Nut	6
8	ME50-002	Disc Bearing	2
9	ME50-008	97 Bolt On Cap	2
10	ME50-009	97 Disc Bearing Flange	2
11	ME50-010	97 Disk (Bearing, Flange, & Cap)	2
12	ME80-009	97 White Mounting Plate LT (Not Shown).	1
13	ME80-010	97 White Mounting Plate RT (Not Shown).	1
14	ME80-011	97 ME Mounting Plate LT	1
15	ME80-012	97 ME Mounting Plate RT (Not Shown)	1
16	ME80-013	97 ME Post - Liquid	1
17	ME80-015	97 ME Post - Dry (Not Shown)	1
18	ME80-017	97 White Post (Not Shown)	1
19	ME80-025	13-1/2" COULTER SS Liquid Tube (SEE PAGE 8)	1

# MONOSEM 13½" DOUBLE DISC OPENER

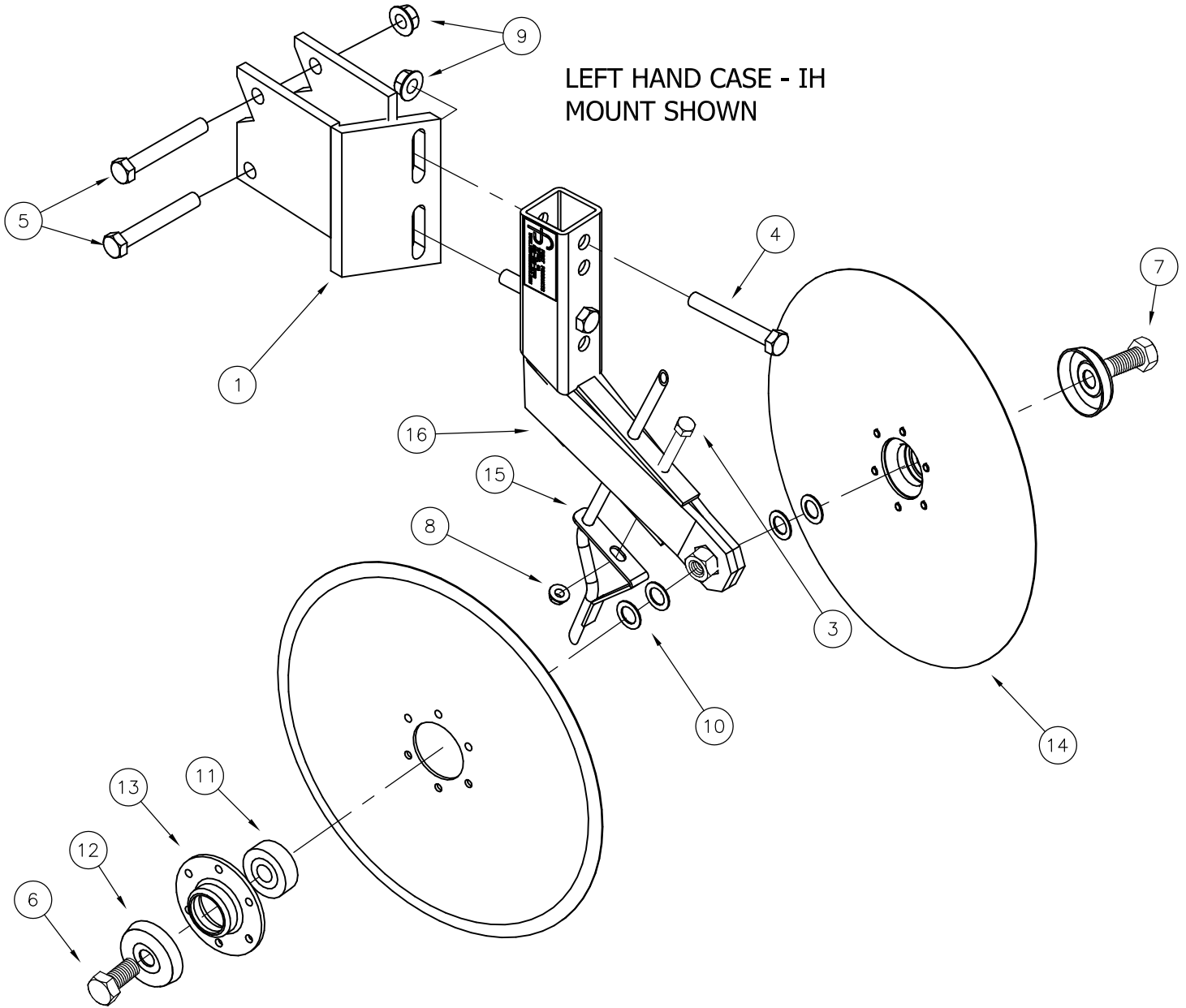


ITEM	PART NO	DESCRIPTION	QTY
1	HW01010096G2ZPC	5/16" X 3" Hex Capscrew	1
2	HW01M100408.8ZC	M10 X 40mm HEX CAPSCREW	3
3	HW01016096G5ZPC	1/2" X 3" Hex Capscrew (Not Shown).	2
4	HW01020040G5ZPC	5/8" X 1 1/4" Hex Capscrew	1
5	HW01020040G5ZPD	5/8" X 1 1/4" Hex Capscrew LH	1
6	HW20M108.8ZPC	M10 HEX NUT	3
7	HW22010G5ZPC	5/16" Flang Lock Nut	1
8	HW22016G5ZPC	1/2" Flange Lock Nut (Not Shown).	2
9	HW32014G5ZP	7/16" Lock Washer (Not Shown).	3
10	HW6002003218GZP	5/8" ID X 1" OD X 18 GA Washer	4
11	ME50-002	Disc Bearing	2
12	ME50-008	97 Bolt On Cap	2
13	ME50-009	97 Disc Bearing Flange	2
14	ME50-010	97 Disc (Bearing Flange & Cap)	2
15	ME80-025	13-1/2" COULTER SS Liquid Tube <b>(SEE PAGE 8)</b>	1
16	MS80-001	Monosem Mount LT	1
17	MS80-002	Monosem Mount RT	1
18	MS80-006	97 Monosem Post	1



# CASE-IH 13 $\frac{1}{2}$ " DOUBLE DISC OPENER

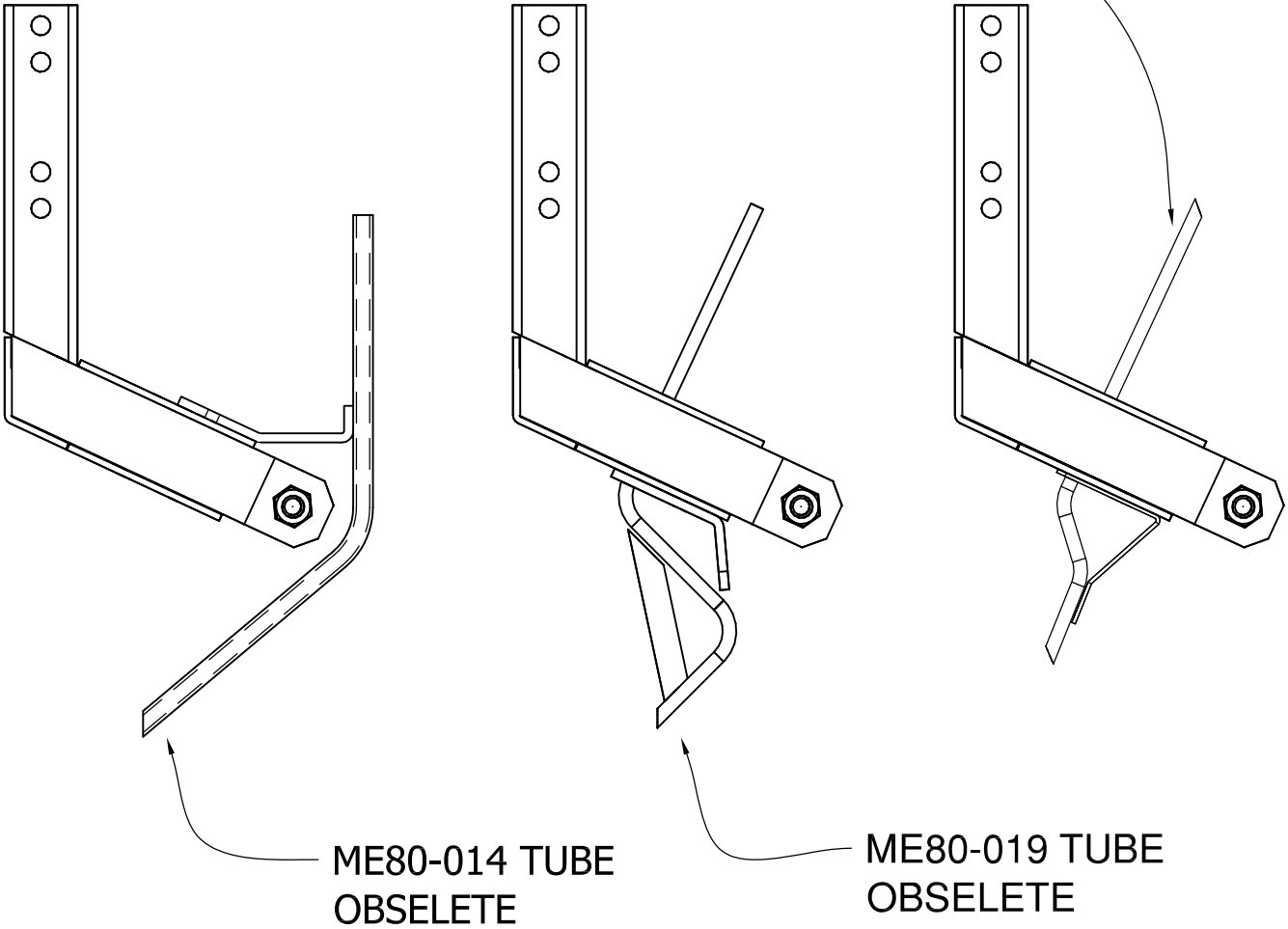
LEFT HAND CASE - IH  
MOUNT SHOWN



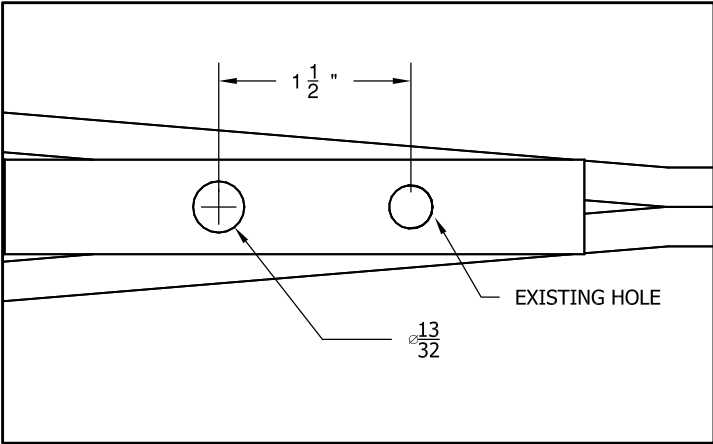
ITEM	PART NO	DESCRIPTION	QTY
1	DA80-011	C-IH MOUNTING BRKT. LT.	1
2	DA80-012	C-IH MOUNTING BRKT. RT.	1
3	HW01010096G2ZPC	5/16 X 3 HEX CAPSCREW	1
4	HW01016096G2ZPC	1/2 X 3 HEX CAPSCREW	2
5	HW01016112G2ZPC	1/2 X 3 1/2 HEX CAPSCREW	2
6	HW01020040G2ZPC	5/8 X 1 1/4 HEX CAPSCREW	1
7	HW01020040G2ZPD	5/8 X 1 1/4 HEX CAPSCREW L.H.	1
8	HW22010G5ZPC	5/16 FLANGE LOCKNUT	1
9	HW22016G5ZPC	1/2 FLANGE LOCKNUT	4
10	HW6002003218GZP	5/8 ID X 1 OD X 18 GA. WASHER	4
11	ME50-002	DISC BEARING	2
12	ME50-008	97 BOLT ON CAP	2
13	ME50-009	97 DISC BEARING FLANGE	2
14	ME50-010	97 DISC ASSEMBLY	2
15	ME80-025	13-1/2" COULTER SS LIQUID TUBE (SEE PAGE 8)	1
16	MS80-006	97 MONOSEM POST	1

# LIQUID TUBE REPLACEMENT FOR 13 $\frac{1}{2}$ " DISC POST

ME80-025 TUBE  
REPLACES BOTH THE  
ME80-014 AND 019 TUBE

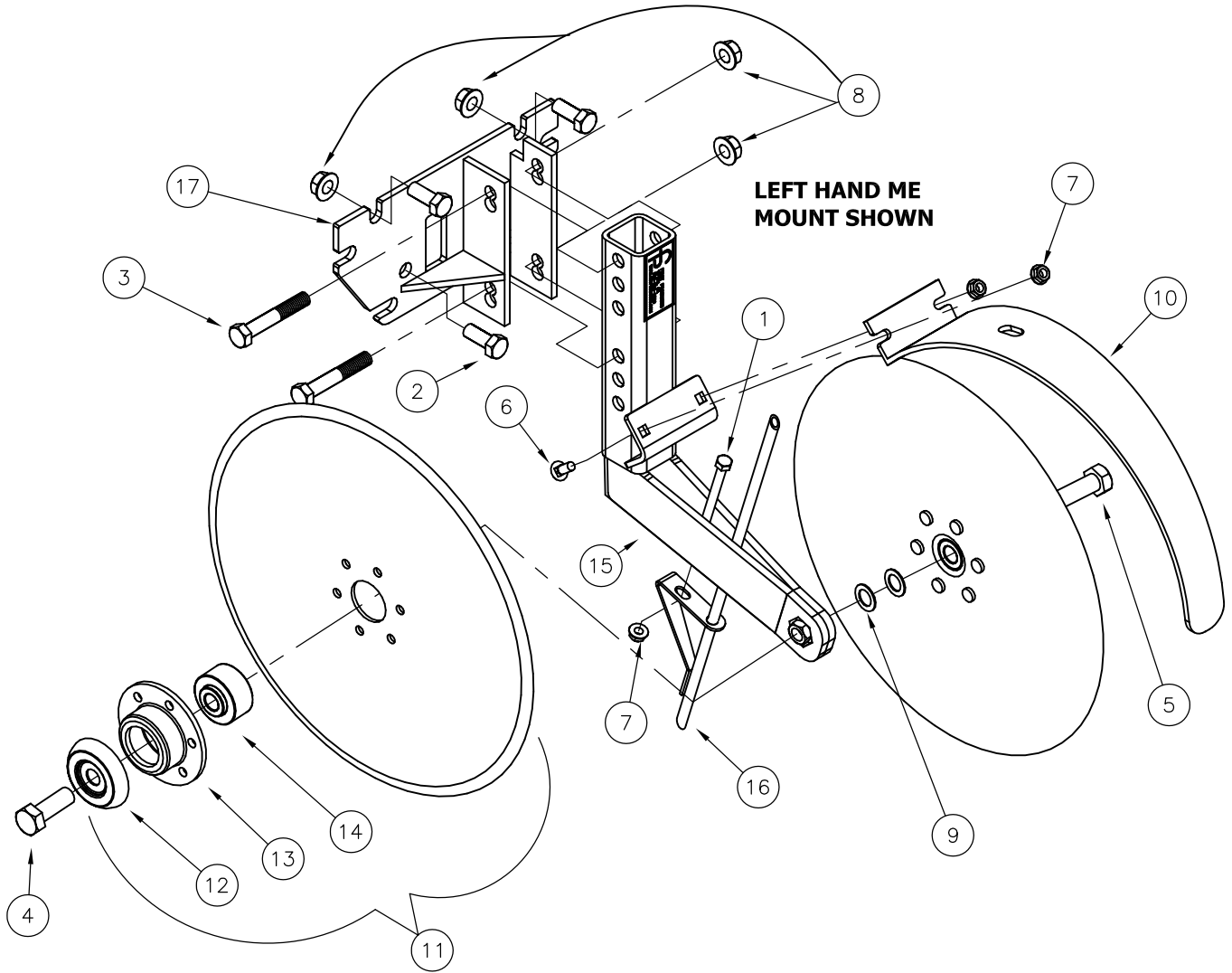


**WHEN CHANGING FROM A ME80-014 TO A ME80-025 TUBE, A HOLE HAS TO BE ADDED TO POST. SEE BELOW**



**\*\*\*\*\*NOTE\*\*\*\*\***  
**MARK & DRILL EACH SURFACE SEPARATELY**  
**TO KEEP THE SPACING CONSISTENT.**

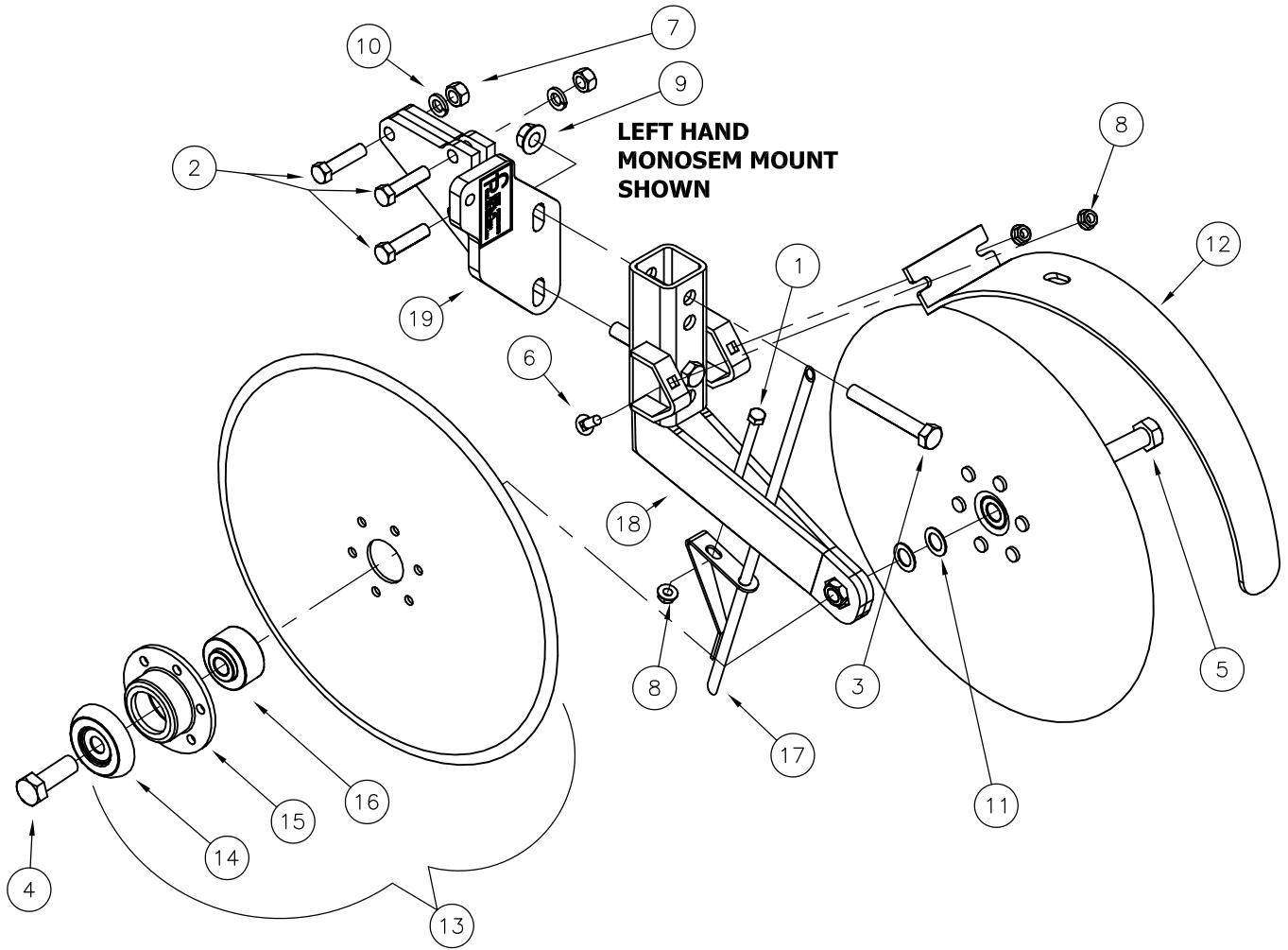
## ME 15" DOUBLE DISC OPENERS



ITEM	PART NO	DESCRIPTION	QTY
1	HW01010096G5ZPC	5/16 X 3 HEX CAPSCREW G5	1
2	HW01016048G5ZPC	1/2 X 1-1/2 HEX CAPSCREW G5	4
3	HW01016096G5ZPC	1/2 X 3 HEX CAPSCREW G5	2
4	HW01020056G2ZPC	5/8 X 1 3/4 HEX CAPSCREW	1
5	HW01020056G5ZPD	5/8 X 1 3/4 HEX CAPSCREW L.H.	1
6	HW03010024G5ZPC	5/16 X 3/4 CARRIAGE BOLT GD 5	2
7	HW22010G5ZPC	5/16 FLANGE LOCK NUT	3
8	HW22016G5ZPC	1/2 FLANGE LOCK NUT	6
9	HW6002003218GZP	5/8 ID x 1"OD 18GA BUSHING	4
10	ME27-037	15" DISC SHEILD, LIQUID TUBE	1
11	ME50-012	15" COULTER W/ DUST CAP	2
12	ME50-013	15" COULTER DUST CAP	2
13	ME50-014	15" COULTER BEARING RETAINER	2
14	ME50-015	15" COULTER BEARING	2
15	ME80-026	ME 15" COULTER POST	1
16	ME80-027	15"COULTER SS LIQUID TUBE	1
17	ME80-028	ME MOUNT PLATE, LEFT	1
18	ME80-029	ME MOUNT PLATE, RIGHT	1

QUANTITIES LISTED ARE FOR ONE ROW ASSEMBLY LESS THE OPPOSITE RIGHT MOUNTING PLATE.

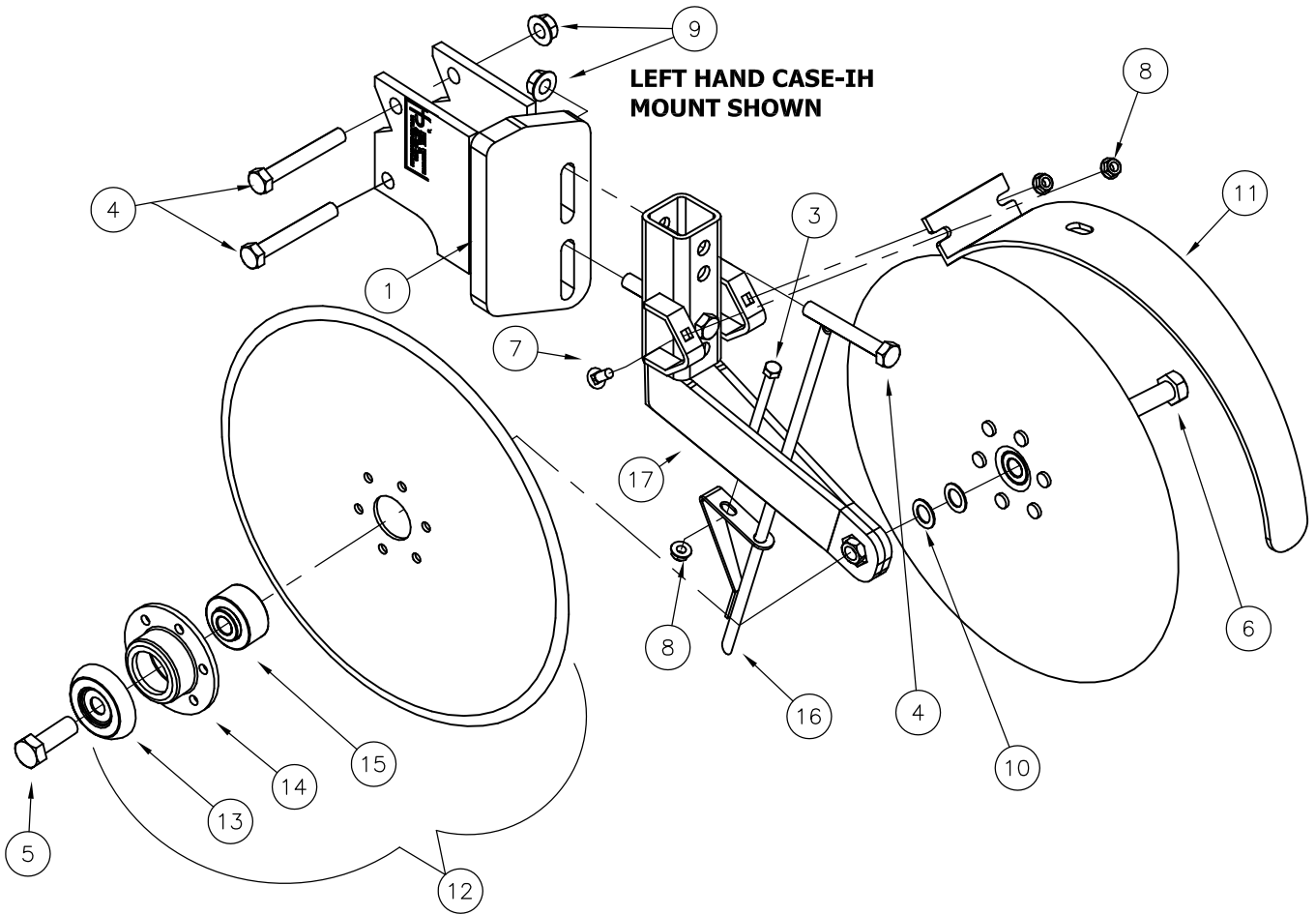
# MONOSEM 15" DOUBLE DISC OPENERS



ITEM	PART NO	DESCRIPTION	QTY
1	HW01010096G5ZPC	5/16 X 3 HEX CAPSCREW G5	1
2	HW01M100408.8ZC	M10 X 40mm HEX CAPSCREW	3
3	HW01016112G5ZPC	1/2 X 3 1/2 HEX CAPSCREW G5	2
4	HW01020056G2ZPC	5/8 X 1 3/4 HEX CAPSCREW	1
5	HW01020056G5ZPD	5/8 X 1 3/4 HEX CAPSCREW L.H.	1
6	HW03010024G5ZPC	5/16 X 3/4 CARRIAGE BOLT GD 5	2
7	HW20M108.8ZPC	M10 HEX NUT	3
8	HW22010G5ZPC	5/16 FLANGE LOCK NUT	3
9	HW22016G5ZPC	1/2 FLANGE LOCK NUT	2
10	HW32014G5ZP	7/16 LOCKWASHER	3
11	HW6002003218GZP	5/8 ID x 1"OD 18GA BUSHING	4
12	ME27-037	15" DISC SHEILD, LIQUID TUBE	1
13	ME50-012	15" COULTER W/ DUST CAP	2
14	ME50-013	15" COULTER DUST CAP	2
15	ME50-014	15" COULTER BEARING RETAINER	2
16	ME50-015	15" COULTER BEARING	2
17	ME80-027	15"COULTER SS LIQUID TUBE	1
18	MS80-015	MS/DA 15" COULTER POST	1
19	MS80-017	MONOSEM MOUNT, LEFT	1
20	MS80-018	MONOSEM MOUNT, RIGHT	1

QUANTITIES LISTED ARE FOR ONE ROW ASSEMBLY LESS THE OPPOSITE RIGHT MOUNTING PLATE.

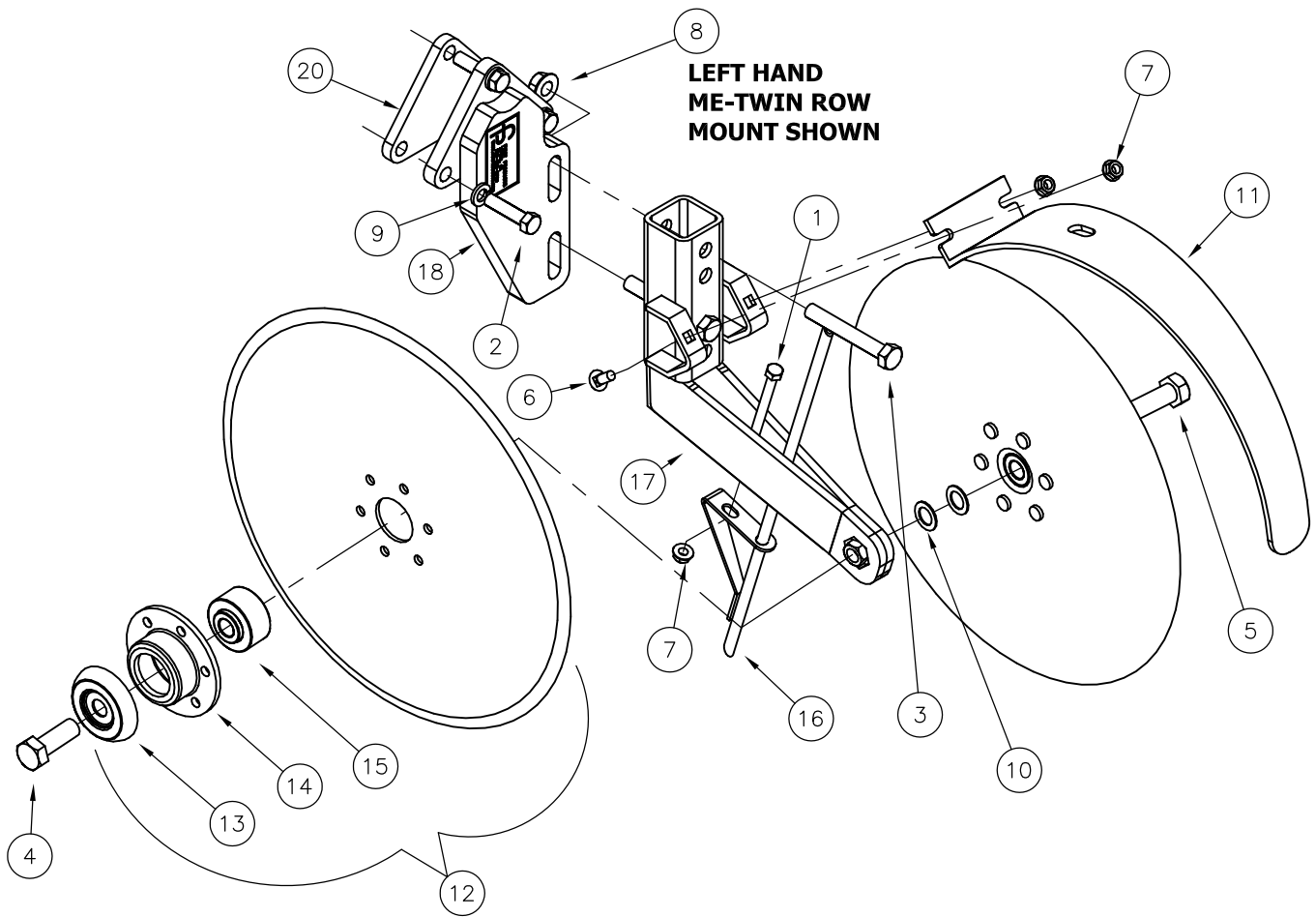
## CASE - IH 15" DOUBLE DISC OPENERS



ITEM	PART NO	DESCRIPTION	QTY
1	DA80-013	C-IH MOUNT BRACKET, LEFT	1
2	DA80-014	C-IH MOUNT BRACKET, RIGHT	1
3	HW01010096G5ZPC	5/16 X 3 HEX CAPSCREW G5	1
4	HW01016112G5ZPC	1/2 X 3 1/2 HEX CAPSCREW G5	4
5	HW01020056G2ZPC	5/8 X 1 3/4 HEX CAPSCREW	1
6	HW01020056G5ZPD	5/8 X 1 3/4 HEX CAPSCREW L.H.	1
7	HW03010024G5ZPC	5/16 X 3/4 CARRIAGE BOLT GD 5	2
8	HW22010G5ZPC	5/16 FLANGE LOCK NUT	2
9	HW22016G5ZPC	1/2 FLANGE LOCK NUT	4
10	HW6002003218GZP	5/8 ID x 1"OD 18GA BUSHING	4
11	ME27-037	15" DISC SHEILD, LIQUID TUBE	1
12	ME50-012	15" COULTER W/ DUST CAP	2
13	ME50-013	15" COULTER DUST CAP	2
14	ME50-014	15" COULTER BEARING RETAINER	2
15	ME50-015	15" COULTER BEARING	2
16	ME80-027	15"COULTER SS LIQUID TUBE	1
17	MS80-015	MS/DA 15" COULTER POST	1

QUANTITIES LISTED ARE FOR ONE ROW ASSEMBLY LESS THE OPPOSITE RIGHT MOUNTING PLATE.

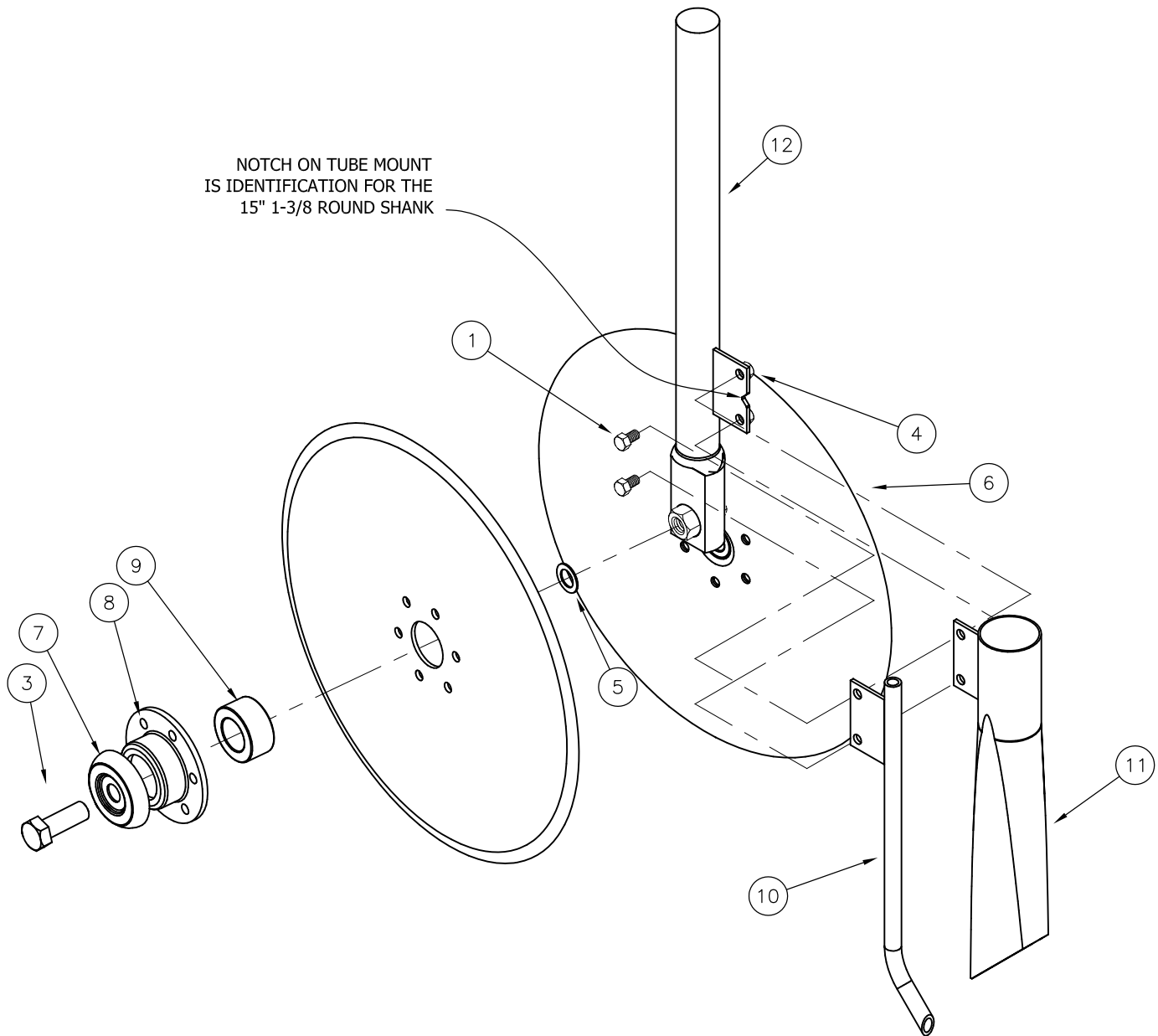
# JOHN DEERE TWIN ROW 15" DOUBLE DISC OPENERS



ITEM	PART NO	DESCRIPTION	QTY
1	HW01010096G5ZPC	5/16 X 3 HEX CAPSCREW G5	1
2	HW01M120408.8ZC	M12 x 40mm HEX CAP	3
3	HW01016112G5ZPC	1/2 X 3 1/2 HEX CAPSCREW G5	2
4	HW01020056G2ZPC	5/8 X 1 3/4 HEX CAPSCREW	1
5	HW01020056G5ZPD	5/8 X 1 3/4 HEX CAPSCREW L.H.	1
6	HW03010024G5ZPC	5/16 X 3/4 CARRIAGE BOLT GD 5	2
7	HW22010G5ZPC	5/16 FLANGE LOCK NUT	3
8	HW22016G5ZPC	1/2 FLANGE LOCK NUT	2
9	HW32016G5ZP	1/2 LOCKWASHER	3
10	HW6002003218GZP	5/8 ID x 1"OD 18GA BUSHING	4
11	ME27-037	15" DISC SHEILD, LIQUID TUBE	1
12	ME50-012	15" COULTER W/ DUST CAP	2
13	ME50-013	15" COULTER DUST CAP	2
14	ME50-014	15" COULTER BEARING RETAINER	2
15	ME50-015	15" COULTER BEARING	2
16	ME80-027	15"COULTER SS LIQUID TUBE	1
17	MS80-015	MS/DA 15" COULTER POST	1
18	ME80-031	METR MOUNT, LEFT	1
19	ME80-032	METR MOUNT, RIGHT	1
20	ME27-040	METR SPACER PLATE	1

QUANTITIES LISTED ARE FOR ONE ROW ASSEMBLY LESS THE OPPOSITE RIGHT MOUNTING PLATE.

# 1 3/8" ROUND SHANK DOUBLE DISC OPENER (15" DISC)



ITEM	PART NO	DESCRIPTION	QTY
1	HW01010016SSPLC	5/16" x 1/2" SS HEX Capscrew	2
2	HW01020056SSPLC	5/8" x 1 3/4" Hex Capscrew, RH	1
3	HW01020056G5ZPD	5/8" x 1 3/4" Hex Capscrew, LH	1
4	HW22010G5ZPC	5/16" Flange Lock Nut	2
5	HW6002003218GZP	1" OD x 5/8" ID x 18 GA Washer	2
6	ME50-012	15" COULTER W/ DUST CAP	2
7	ME50-013	15" COULTER DUST CAP	2
8	ME50-014	15" COULTER BEARING RETAINER	2
9	ME50-015	15" COULTER BEARING	2
10	RS80-001	Liquid Tube	1
11	RS80-002	Dry Tube	1
12	RS80-012	1 3/8" Round Shank, 15" DISC	1

