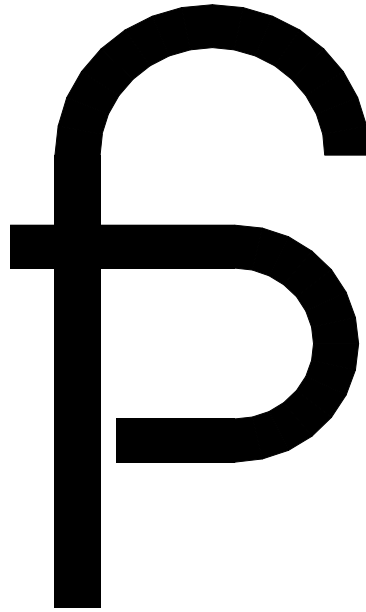


PARTS LIST



FERTILIZER BOX

MODEL FA

Serial Number 2395 - ____

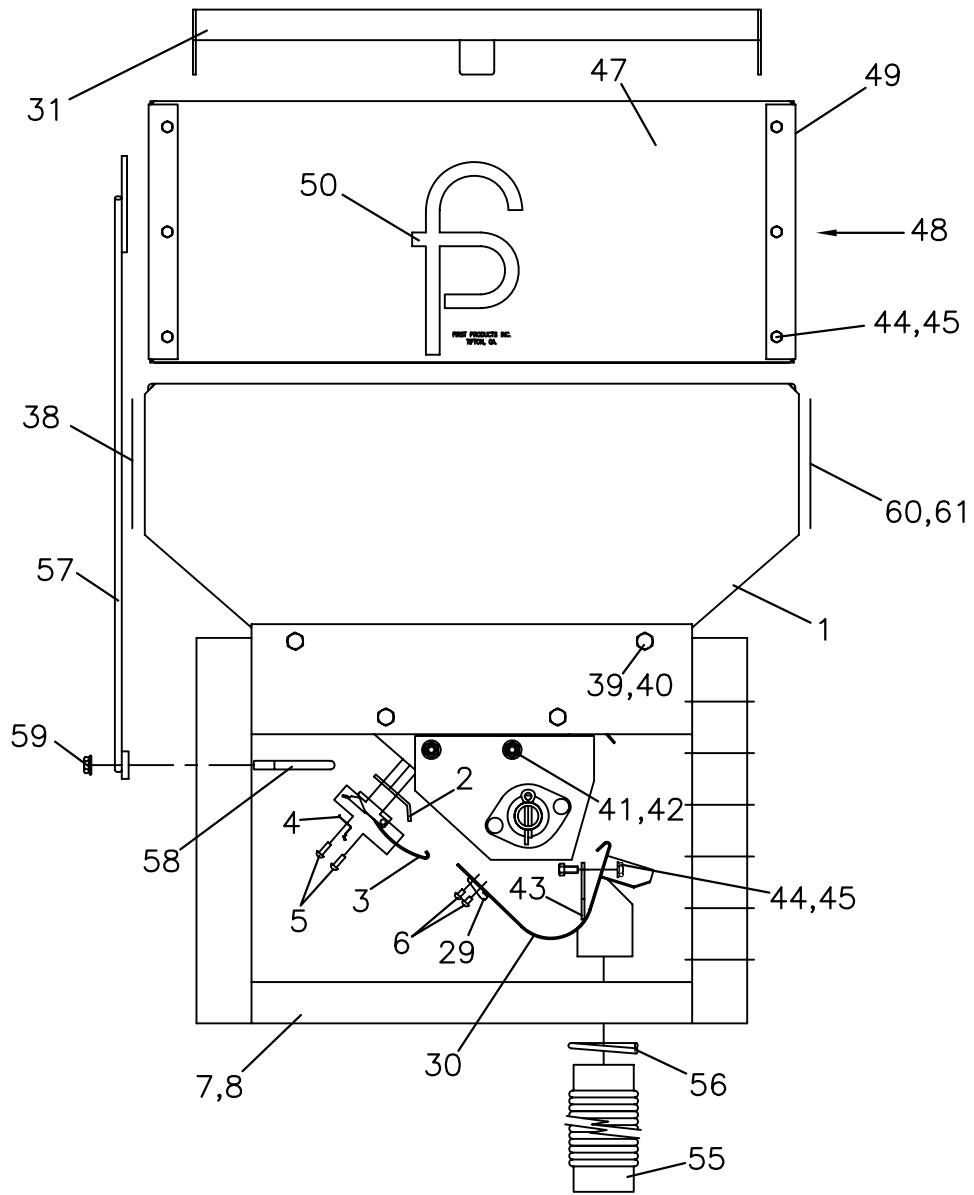
FIRST PRODUCTS INC.
164 Oakridge Church Road
Tifton, Georgia 31794 U.S.A.
Phone 800-363-8780
Georgia (229) 382-4768
Fax (229) 382-0506

Fertilizer Box

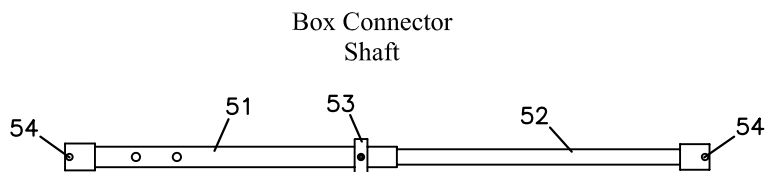
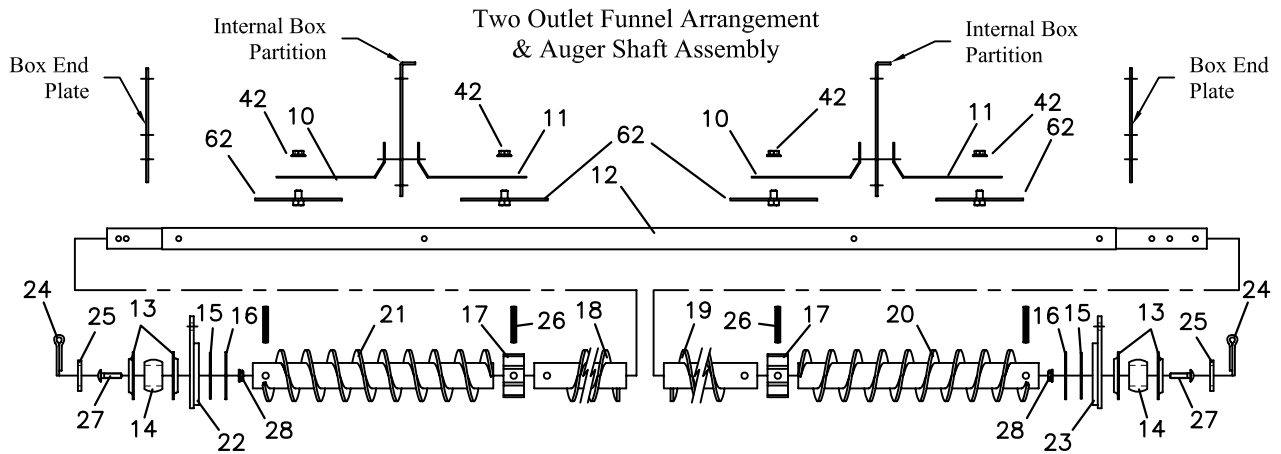
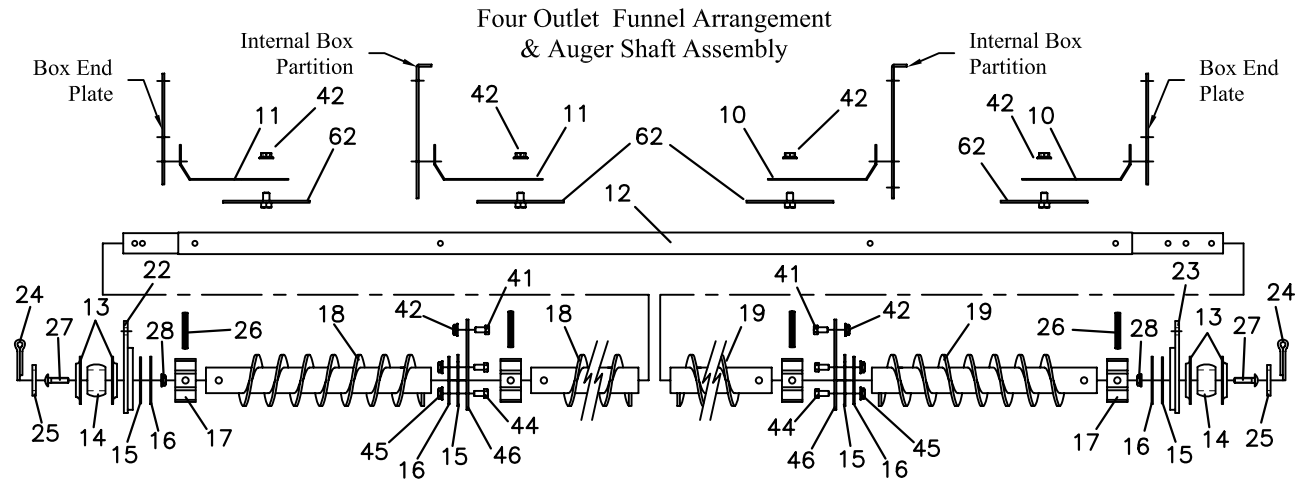
(Legend For Pages 1-4)

Item No.	Order No.	Description	Item No.	Order No.	Description
1	FA80-015	500 lbs. Box	34	FA27-032	Tube Stabilizer
2	FA27-015	Trough Lock Lip	35		
3	FA50-018	Draw Latch	36		
4	FA50-019	Latch Lock	37		
5		5/32" Stainless Rivet (1/4"-3/8" Grip)	38	FA50-049	First Products Decal
6		5/32" Stainless Rivet (1/8"-1/4" Grip)	39		3/8" x 1" Hex Capscrew Stainless
7	FA80-017	Left Box End Frame	40		3/8" Flange Lock Nut Stainless
8	FA80-016	Right Box End Frame	41		5/16" x 3/4" Hex Capscrew Stainless
9	FB50-077	11/32" Hole Plug	42		5/16" Flange Lock Nut Stainless
10	FA27-046	Funnel Top, Right	43	FA27-016	Outlet Plug
11	FA27-047	Funnel Top, Left	44		1/4" x 1/2" Hex Capscrew Stainless
12	FA24-006	Auger Shaft	45		1/4" Flange Lock Nut Stainless
13	FB50-034	40 MST Stamping	46	FA27-003	Bulk Head
14	FB50-014	Auger Shaft Bearing	47	FA27-023	Extension End Panel
15	FB50-035	Auger Bearing Seal	48	FA80-021	Extension Front and Rear Panel
16	FB27-009	Seal Plate	49	FA80-020	Extension Corner
17	FA50-017	Feed Wheel	50	FB50-068	First Products Logo Decal
18	FA80-013	11" Left Hand Auger	51	FA80-026	Female Box Connector
19	FA80-014	11" Right Hand Auger	52	FA80-027	Male Box Connector
20	FA80-011	11 3/4" Left Hand Auger	53	FB50-054	1 1/16" Set Collar
21	FA80-012	11 3/4" Right Hand Auger	54		1/4" x 2" Cotter Pin
22	FA80-009	Left Hand Auger End Cap	55	FB50-019	Fertilizer Hose (2" Outlet Both Ends)
23	FA80-010	Right Hand Auger End Cap	56	FB50-028	2 1/4" Hose Clamp
24		1/4" x 1 1/2" Cotter Pin	57	FA80-044	S.M.V. Replacement Bracket
25		1" x 1 1/2" x 10 GA Bushing	58	FA50-051	S.M.V. "U" Bolt
26		1/4" x 1 3/4" Roll Pin Stainless	59		5/16" Flange Lock Nut
27		1/4" x 1" Carriage Bolt Stainless	60	FA50-046	Ground Drive Rate Chart
28		1/4" Flange Lock Nut Stainless	61	FA50-039	Hydraulic Drive Calibration Instructions
29	FA50-020	Keeper	62	FA80-058	Funnel Adjustment Plate
30	FA80-018	Auger Trough	63		5/16" x 1/2" Hex Cap Screw, Stainless
31	FA81-014	Filter Screen	64	FA80-077	750# Extension Bridge
32			65	FA80-065	750# Box Extensions, 36-38" Rows
33	FB50-092	Serial Number Tag	66	FA80-062	750# Box Extensions, 44-48" Rows

**Fertilizer
Box**
(Left End View)

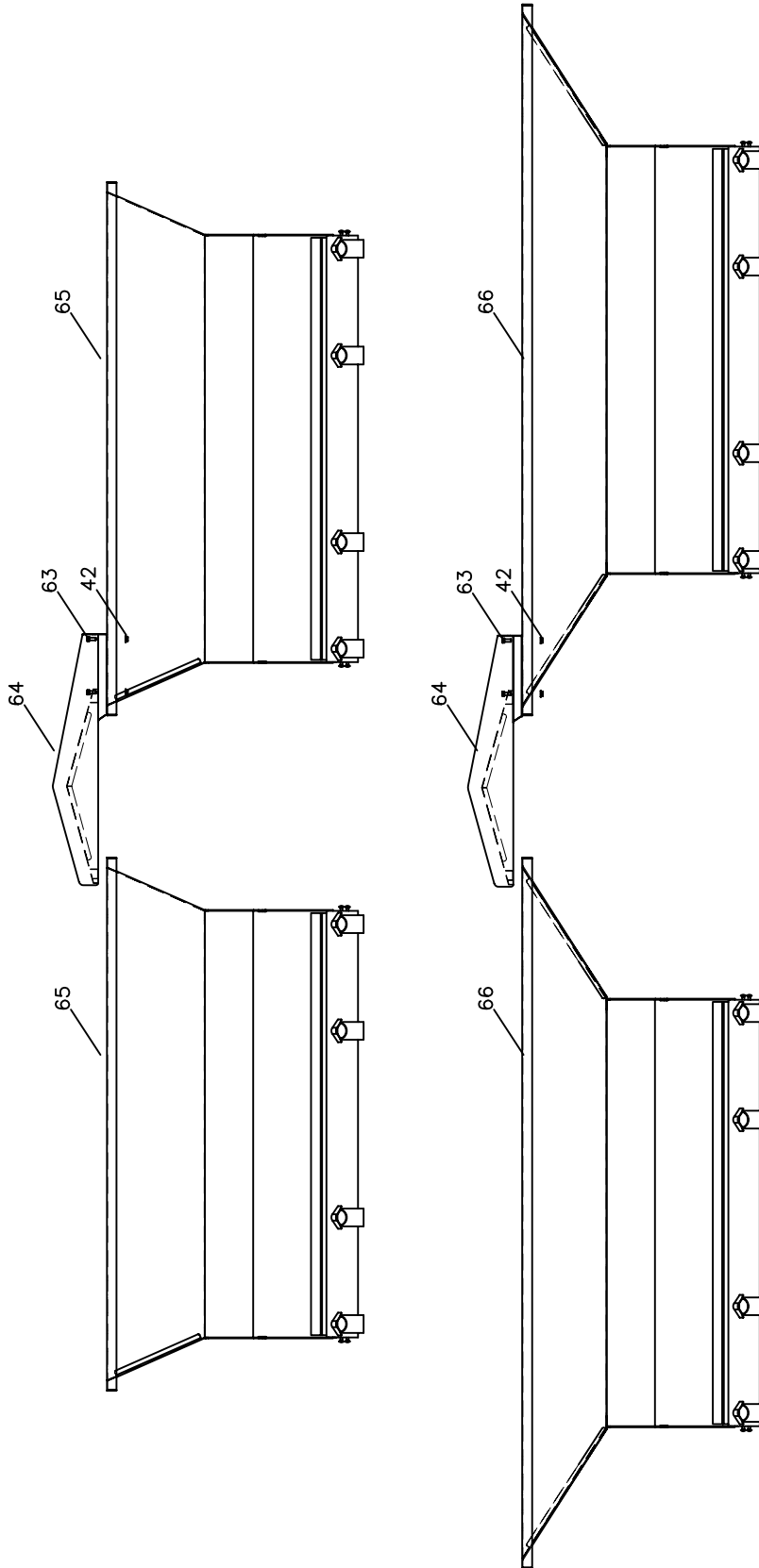


Fertilizer Box



Fertilizer Box

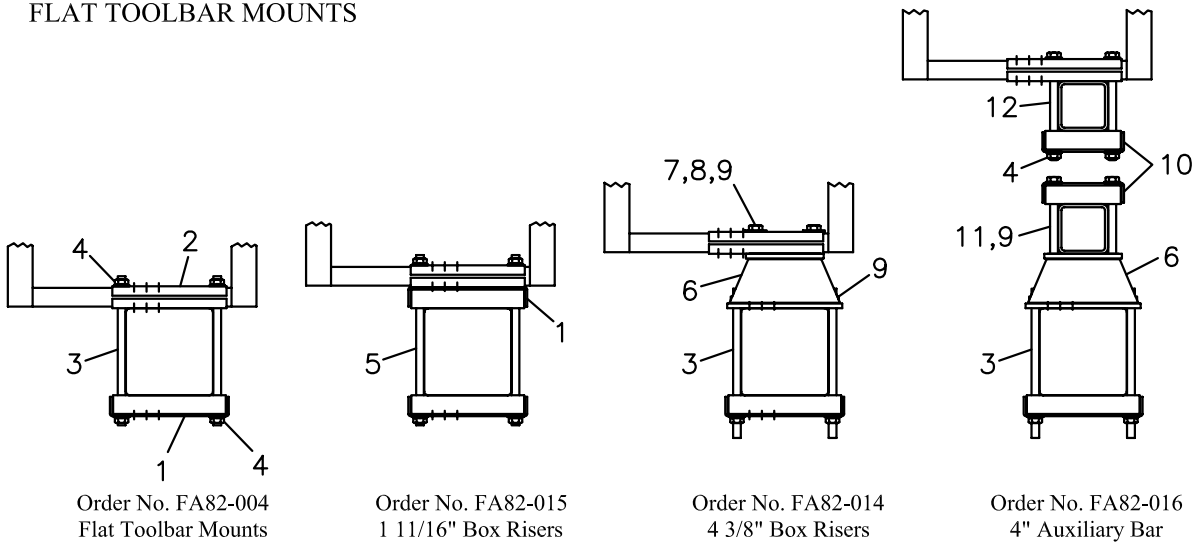
750# Extensions
With Bridge



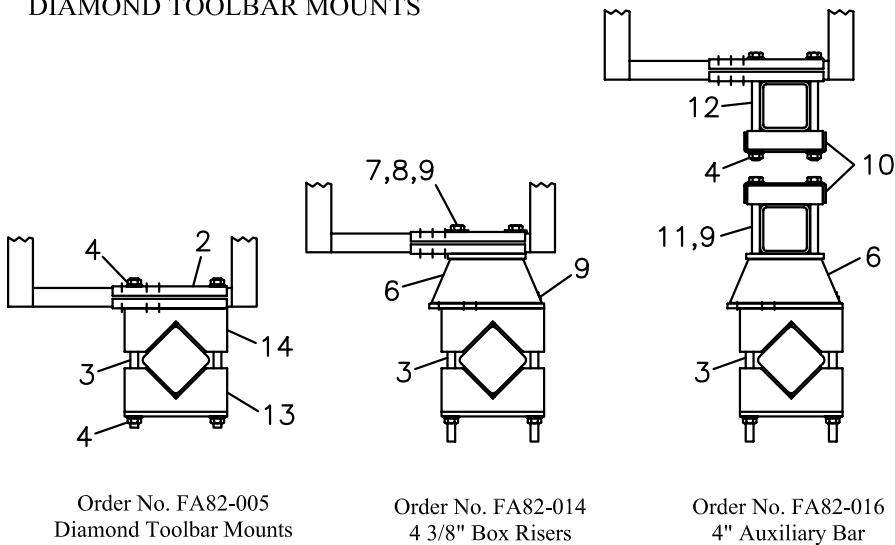
Box Mounts

Item No.	Order No.	Description	Item No.	Order No.	Description
1	FA80-006	5/8" Flat Toolbar Clamp	11		5/8" x 7" Hex Capscrew
2	FA27-001	Toolbar To Box Keeper	12		5/8" x 8" Hex Capscrew
3	FA50-011	Toolbar To Box Threaded Rod-12	13	FA80-007	Diamond Clamp
4		5/8" Flange Lock Nut	14	FA80-008	Diamond Bracket
5	FA50-050	Toolbar To Box Threaded Rod-14	15	FA23-007	Front Pittsburgh Mount
6	FA80-042	4 3/8" Box Riser	16	FA23-008	Rear Pittsburgh Mount
7		5/8" x 3" Hex Capscrew	17	FA27-002	Pittsburgh To Box Keeper
8		5/8" Flat Washer	18		5/8" Lock Washer
9		5/8" Square Nut	19		5/8" Hex Nut
10	FA80-043	4" Flat Toolbar Clamp-5/8			

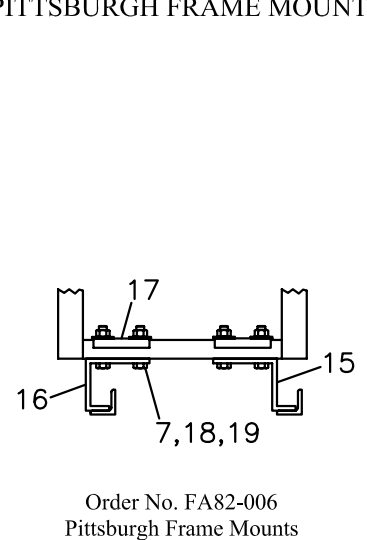
FLAT TOOLBAR MOUNTS



DIAMOND TOOLBAR MOUNTS

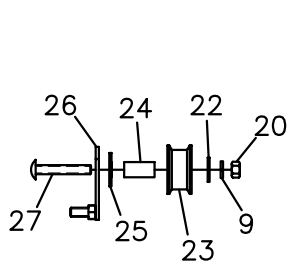
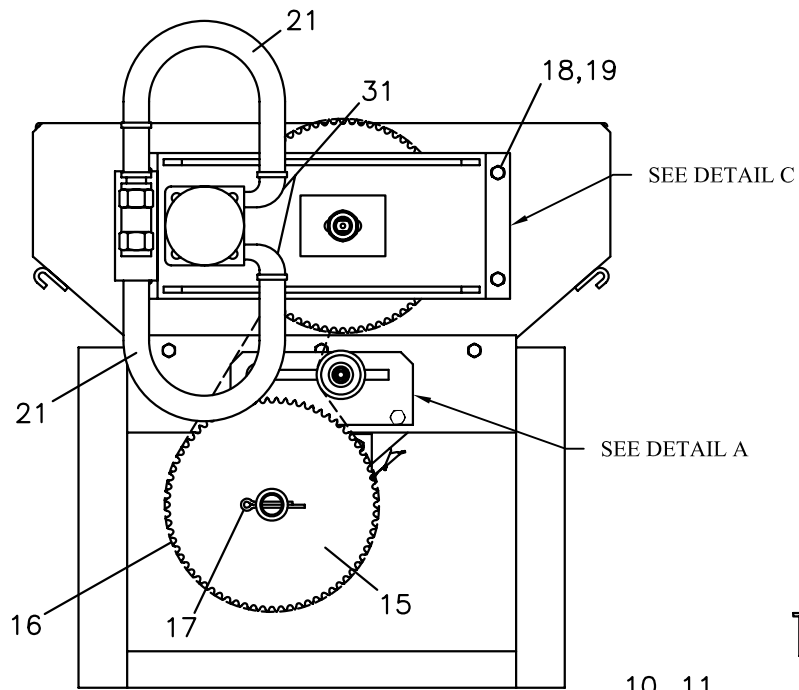


PITTSBURGH FRAME MOUNTS

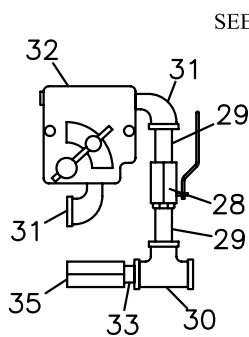


Hydraulic Drive

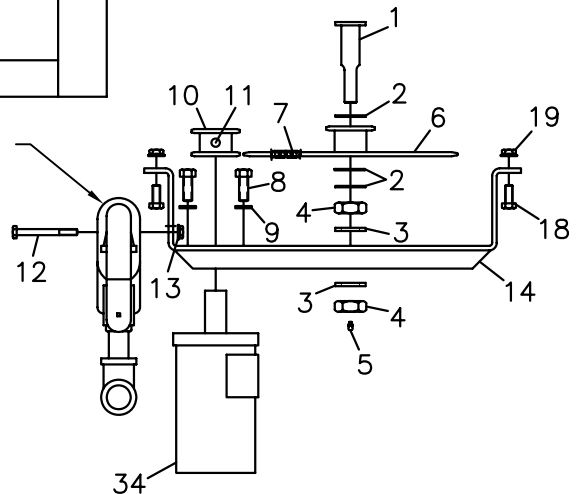
Item No.	Order No.	Description	Item No.	Order No.	Description
1	FB80-048	Hydraulic Drive Jackshaft	19		5/16" Stainless Steel Flange Lock Nut
2	FB50-015	3/4" Acetal Washer	20		3/8" Hex Nut
3		3/4" x 1 1/4" x 10 GA. Machinery Bushing	21	FB50-071	18" Hydraulic Drive Hose
4		3/4" Jam Nut	22		3/8" Flat Washer
5		1/4"-28 Grease Fitting	23	FB50-020	Chain Idler
6	FB81-031	72T-15T #35 Sprocket With Bushing	24	FB24-012	Idler Bushing
7	FB50-066	#35 x 80 Pitch Chain	25		1/2" S.A.E. Flat Washer
8		3/8" x 1" Hex Capscrew	26	FA80-025	98 Hydraulic Drive Idler Bracket
9		3/8" Lock Washer	27		3/8" x 2 1/4" Carriage Bolt
10	FB80-047	15T-15T Sprocket	28	FB50-072	1/2" Ball Valve
11		5/16" x 1 1/4" Roll Pin	29	FB50-073	1/2" x 2 1/2" Nipple
12		1/4" x 2 1/2" Hex Capscrew G5	30	FB50-074	1/2" Tee
13		1/4" Flange Lock Nut	31	FB50-075	1/2" Street Elbow
14	FB80-065	Hydraulic Drive Motor Support	32	FB50-062	Flow Control Valve
15	FB80-055	Auger Sprocket 35B72	33	FB50-076	1/2" x 1 1/2" Nipple
16	FB50-082	#35 x 112 Pitch Chain	34	FB50-061	Hydraulic Motor
17		1/4" x 1 1/2" Brass Cotter Pin	35	FB50-094	Check Valve
18		5/16" x 3/4" Stainless Steel Hex Capscrew			



DETAIL A

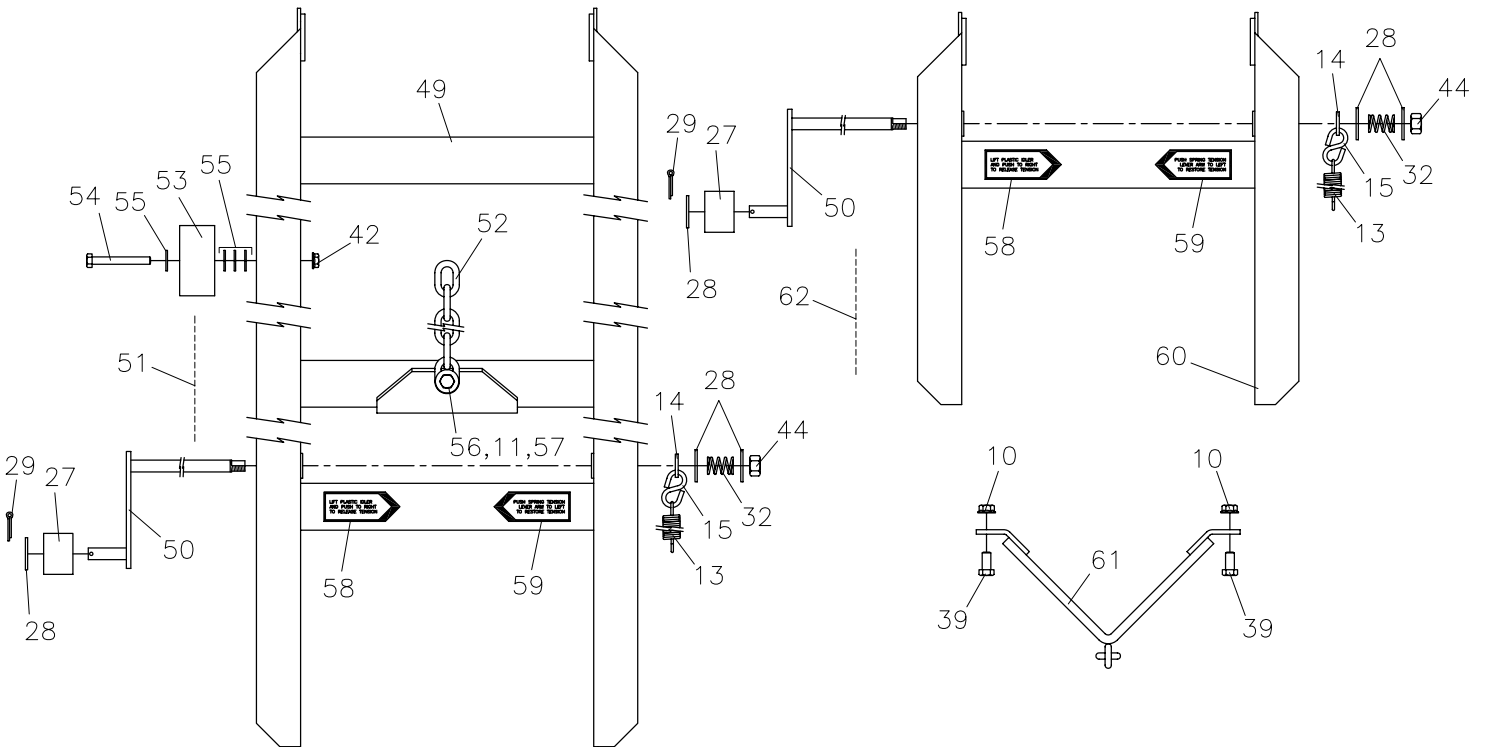
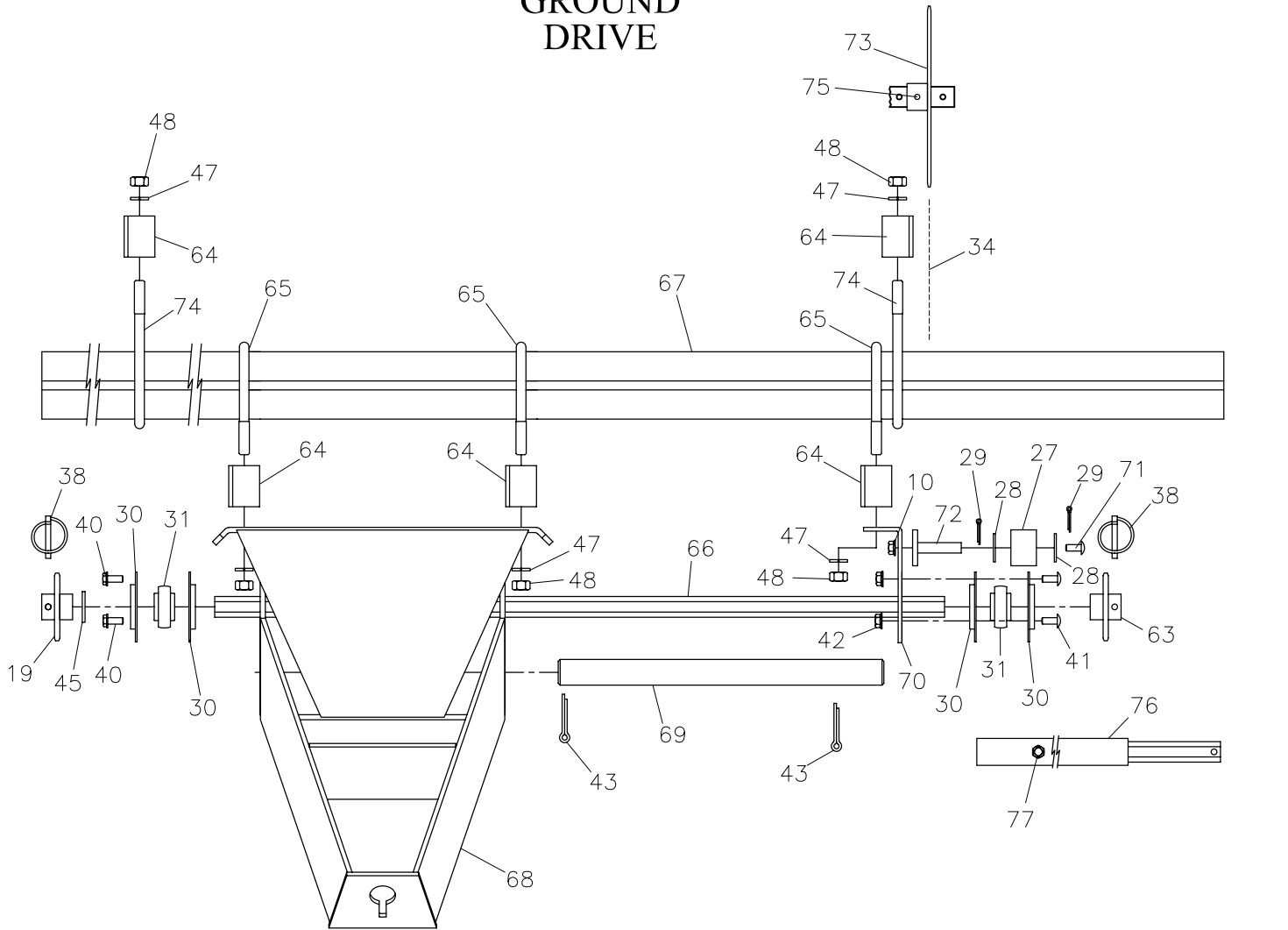


DETAIL B

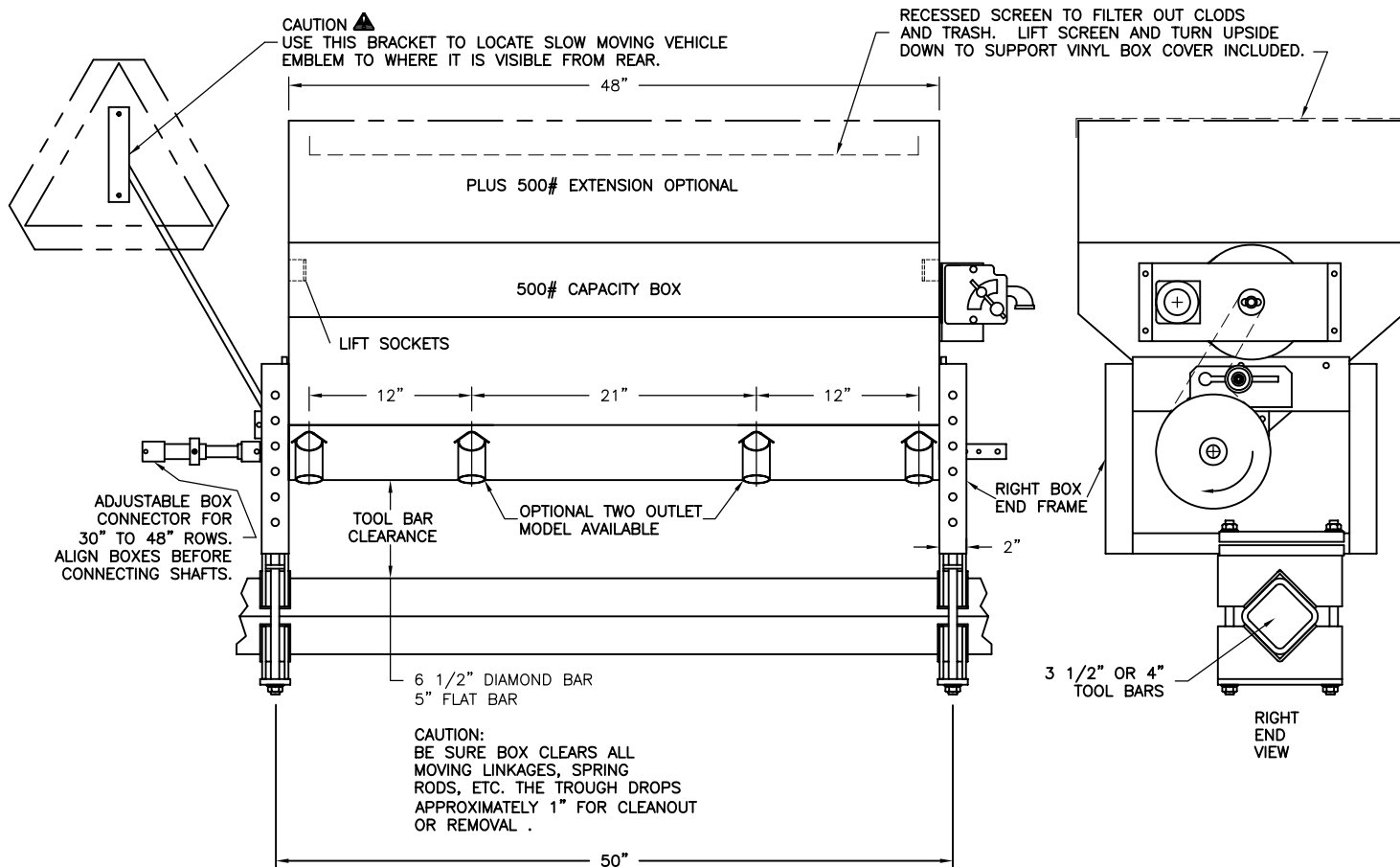
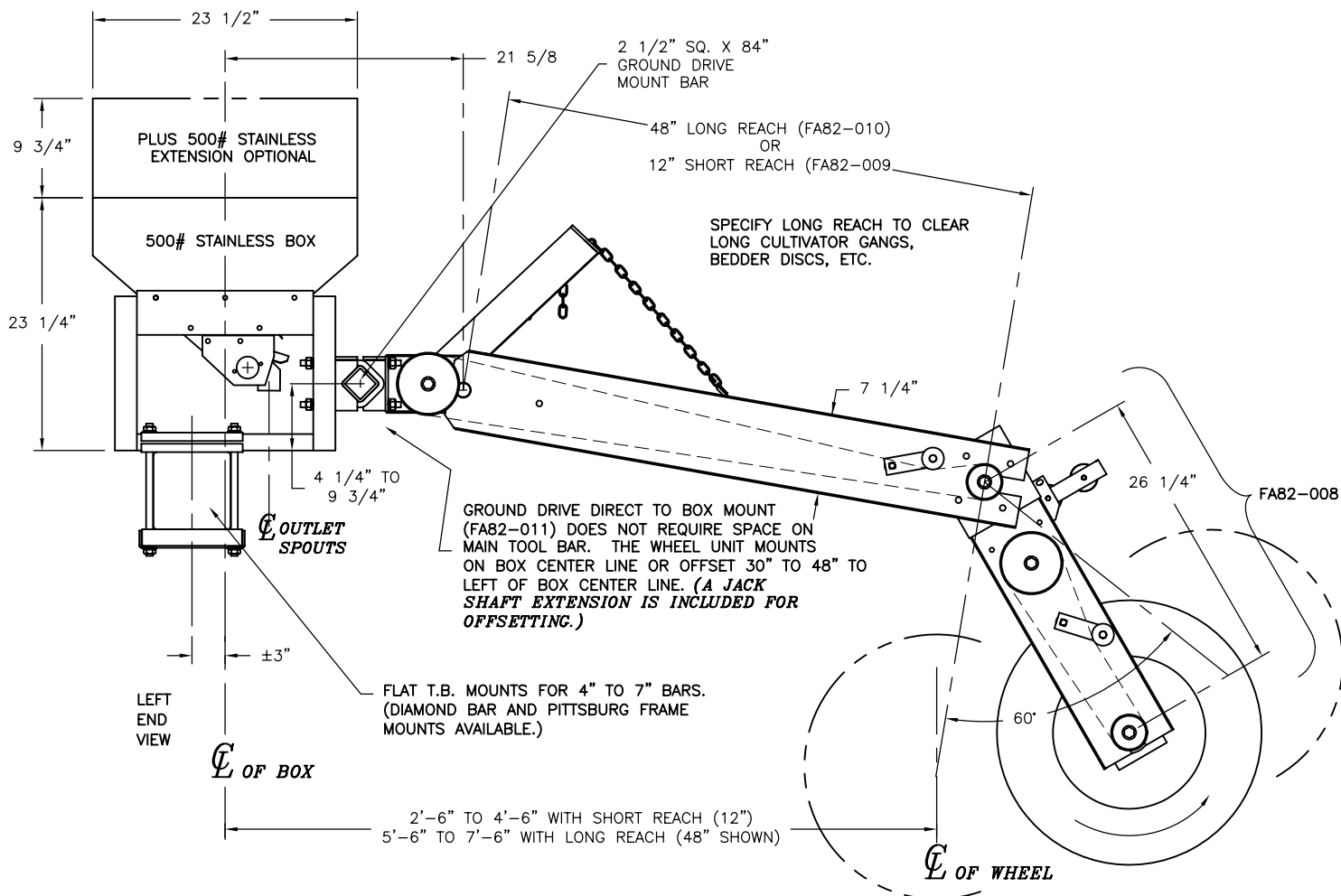


DETAIL C

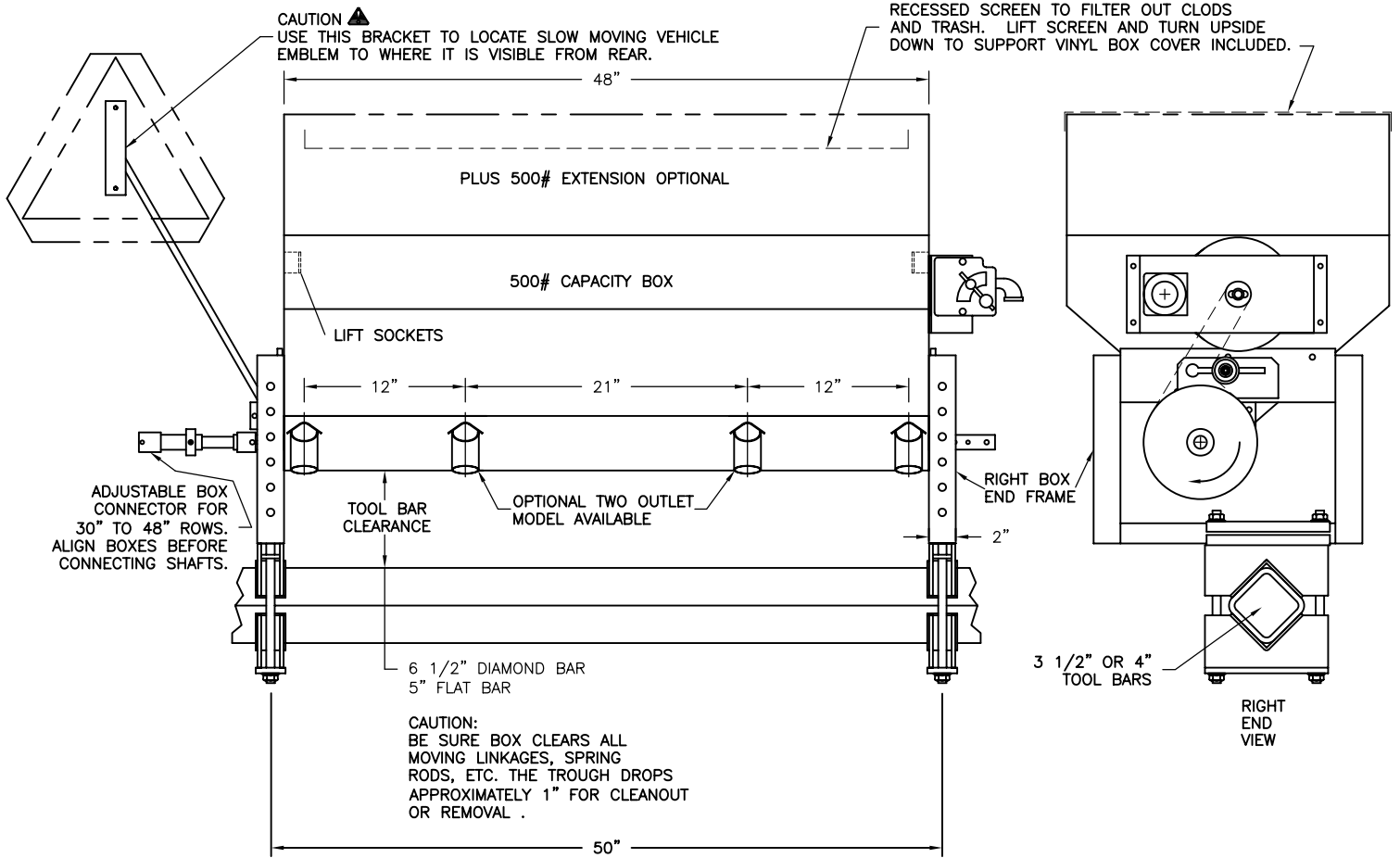
GROUND DRIVE



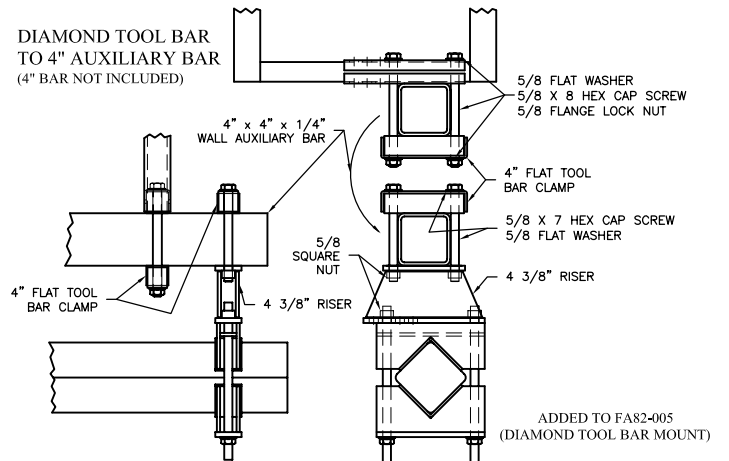
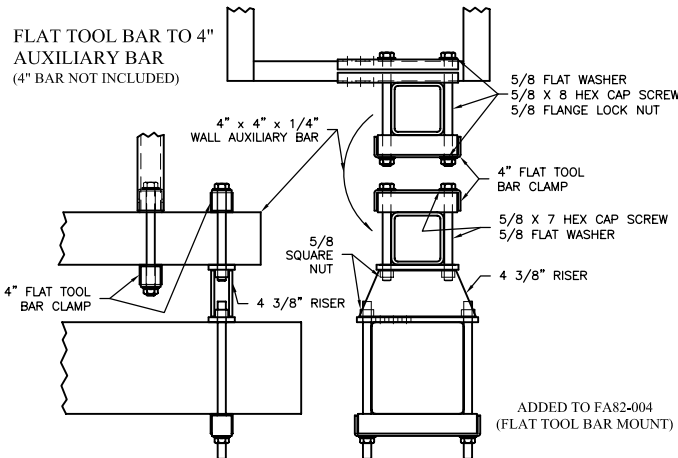
Installation Dimensions-Ground Drive Model



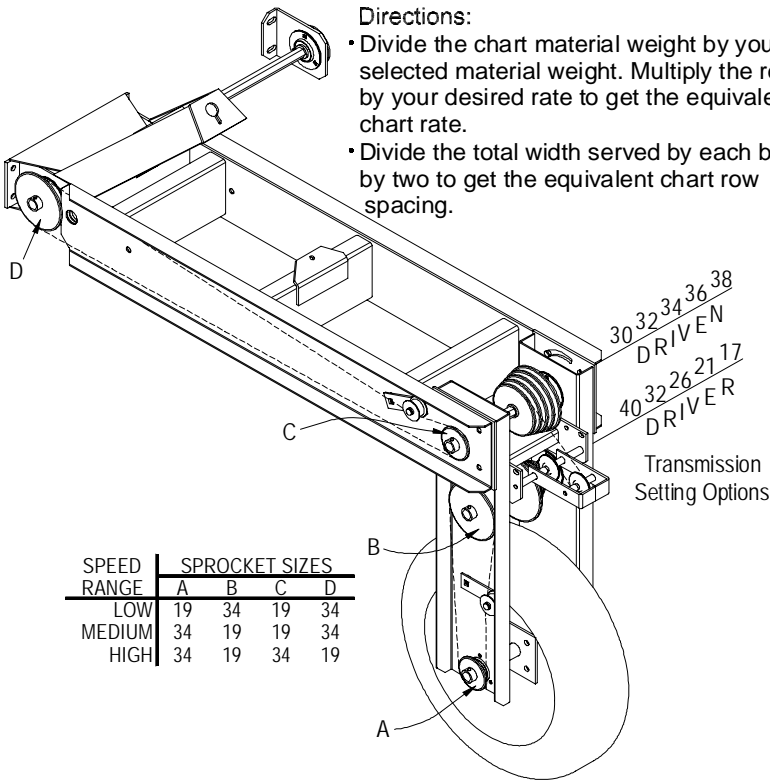
Installation Dimensions-Ground Drive Model



4" Auxiliary Bar Mount Bracket FA82-016 One Required Per Box



GROUND DRIVE RATE CHART



- Directions:**
- Divide the chart material weight by your selected material weight. Multiply the result by your desired rate to get the equivalent chart rate.
 - Divide the total width served by each box by two to get the equivalent chart row spacing.

SPEED RANGE	SPROCKET SIZES			
	A	B	C	D
LOW	19	34	19	34
MEDIUM	34	19	19	34
HIGH	34	19	34	19

TRANSMISSION SETTING		LOW RANGE ROW SPACING							
DRIVER	DRIVEN	30	32	34	36	38	40	44	48
17:	38	86	81	76	72	68	65	59	54
	36	91	86	80	76	72	68	62	57
	34	97	91	86	81	77	73	66	61
	32	102	96	90	85	81	77	70	64
	30	108	101	95	90	85	81	74	68
21:	38	103	97	91	86	81	77	70	65
	36	109	102	96	91	86	82	74	68
	34	115	108	102	96	91	86	79	72
	32	122	115	108	102	97	92	83	77
	30	128	120	113	107	101	96	88	80
26:	38	132	124	116	110	104	99	90	83
	36	139	131	123	116	110	104	95	87
	34	146	137	129	122	116	110	100	92
	32	154	144	136	128	121	115	105	96
	30	161	151	142	134	127	121	110	101
32:	38	156	146	138	130	123	117	106	98
	36	166	155	146	138	131	124	113	104
	34	175	164	155	146	138	131	119	110
	32	185	173	163	154	146	139	126	116
	30	194	182	172	162	153	146	133	122
40:	38	186	174	164	155	147	140	127	116
	36	199	187	176	166	157	149	136	125
	34	212	199	187	177	168	159	145	133
	32	226	212	199	188	178	169	154	141
	30	239	224	211	199	189	179	163	149

TRANSMISSION SETTING		MEDIUM RANGE ROW SPACING								HIGH RANGE ROW SPACING							
DRIVER	DRIVEN	30	32	34	36	38	40	44	48	30	32	34	36	38	40	44	48
17:	38	259	243	229	216	205	194	177	162	702	658	619	585	554	527	479	439
	36	272	255	240	227	215	204	186	170	748	701	660	623	590	561	510	467
	34	287	269	253	239	226	215	196	179	793	744	700	661	626	595	541	496
	32	300	281	265	250	237	225	205	188	839	786	740	699	662	629	572	524
	30	314	295	277	262	248	236	214	197	884	829	780	737	698	663	603	553
21:	38	304	285	268	253	240	228	207	190	839	786	740	699	662	629	572	524
	36	322	302	284	268	254	241	219	201	895	839	790	746	707	671	610	560
	34	338	317	299	282	267	254	231	212	952	892	840	793	751	714	649	595
	32	356	334	314	297	281	267	243	223	1008	945	889	840	796	756	687	630
	30	374	351	330	312	296	281	255	234	1064	998	939	887	840	798	726	665
26:	38	353	331	311	294	279	265	241	221	1073	1006	947	894	847	805	731	671
	36	374	351	330	312	296	281	255	234	1142	1071	1008	952	902	857	779	714
	34	396	371	349	330	313	297	270	248	1212	1136	1069	1010	957	909	826	758
	32	418	392	368	348	330	313	285	261	1282	1202	1131	1068	1012	961	874	801
	30	439	412	388	366	347	329	299	275	1351	1267	1192	1126	1067	1013	921	845
32:	38	434	407	383	362	343	326	296	272	1284	1204	1133	1070	1014	963	875	803
	36	460	431	406	383	363	345	313	287	1369	1284	1208	1141	1081	1027	934	856
	34	485	455	428	404	383	364	331	303	1454	1364	1283	1212	1148	1091	992	909
	32	511	479	451	426	404	383	349	320	1540	1443	1358	1283	1215	1155	1050	962
	30	536	503	473	447	423	402	366	335	1625	1523	1434	1354	1283	1219	1108	1016
40:	38	518	486	457	432	409	389	353	324	1704	1598	1504	1420	1345	1278	1162	1065
	36	550	515	485	458	434	412	375	344	1812	1699	1599	1510	1431	1359	1235	1133
	34	582	546	514	485	459	437	397	364	1920	1800	1694	1600	1516	1440	1309	1200
	32	613	575	541	511	484	460	418	383	2028	1901	1789	1690	1601	1521	1383	1268
	30	646	605	570	538	510	484	440	404	2136	2003	1885	1780	1686	1602	1456	1335

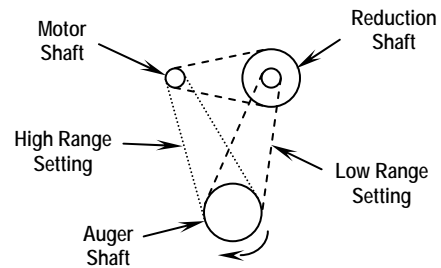
APPROXIMATE POUNDS PER ACRE FOR GRANULAR MATERIAL WEIGHING 80 POUNDS PER CUBIC FOOT (OR 53.5 POUNDS PER 5 GALLONS)

HYDRAULIC DRIVE – CALIBRATION INSTRUCTIONS

NOTE: Divide the total width served by each box by two to get the equivalent chart row spacing.

1. Select the desired output rate (lbs./acre)
2. Based on your row spacing and (lbs./acre) use the following table to assemble the auger drive chain for the correct range setting:

ROW SPACING	LOW RANGE		HIGH RANGE	
	Min.	Max.	Min.	Max.
30	72	468	324	2190
32	68	439	304	2053
34	64	413	286	1932
36	60	390	270	1825
38	57	369	256	1729
40	54	351	243	1643
42	51	334	231	1564
44	49	319	221	1493
46	47	305	211	1428
48	45	293	203	1369



3. Establish the desired tractor ground speed and engine speed.
4. Measure the time (T) required to travel 500ft. at established ground speed.
5. Calculate the pounds to be collected from one box during the time (T) at established engine speed.

$$\text{lbs. (P)} = \frac{\text{lbs./acre} \times \text{row width} \times \text{no. of rows served per box}}{1045}$$

6. Vary the flow control valve handle on the unit to collect lbs. (P) from one box during the time (T) at established engine speed and lock in position. (Do not vary any hydraulic speed controls on the tractor once the unit speed control handle is locked.)

**CAUTION: Do not operate the unit with a reduction shaft speed in excess of 160 RPM.
Wash box thoroughly after each application. Lightly oil chains prior to storage.**