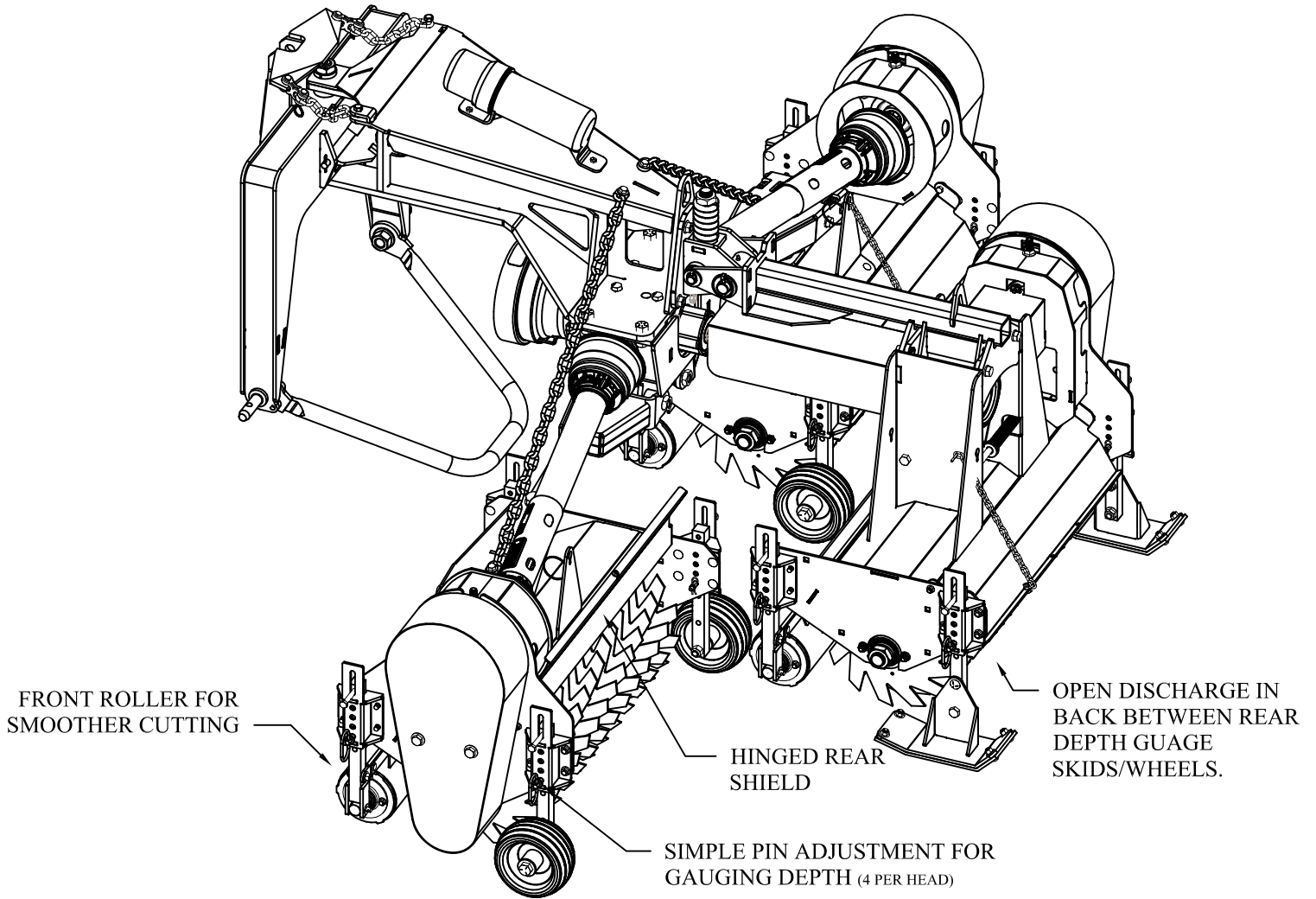


VC-90 SPECIFICATIONS



WORKING WIDTH	84"
BLADES (12" DIAMETER)	10 Ga. CARBIDE TIP
	10 Ga. HARDENED STEEL
BLADE SPACING	2"
BLADE DEPTH CONTROL	0 - 1 7/8"
BLADE SHAFT	1 5/8" HEX STRESSPROOF
BLADE ROTATION	FORWARD
HITCH	PATENTED 3 PT. CAT. 1 TRAILING HITCH
DRIVE	540 PTO - GEARBOXES - 12 BELTS (4 PER HEAD)
REQUIRED HP	30 - 55 HP (VARIES BY CUTTING DEPTH)
FRAME	ALL WELDED STEEL CONSTRUCTION
WEIGHT	1250 LBS
DIMENSIONS	96" WIDE X 72" LONG X 42" HIGH
GEARBOXES	CROSS GEARBOX - 55 HP
	RIGHT ANGLE - 30 HP