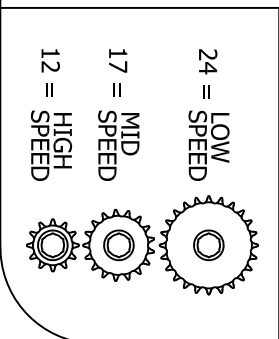
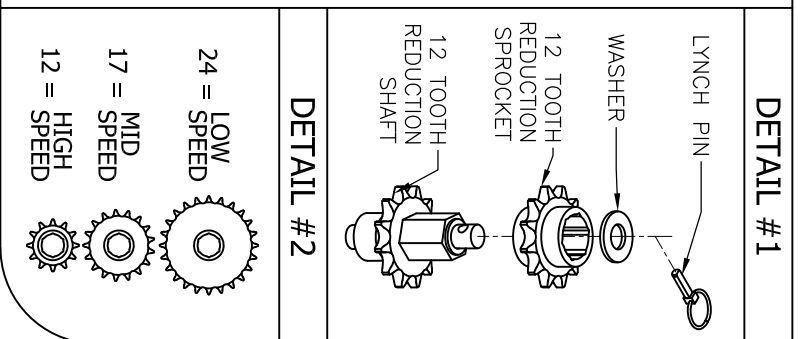
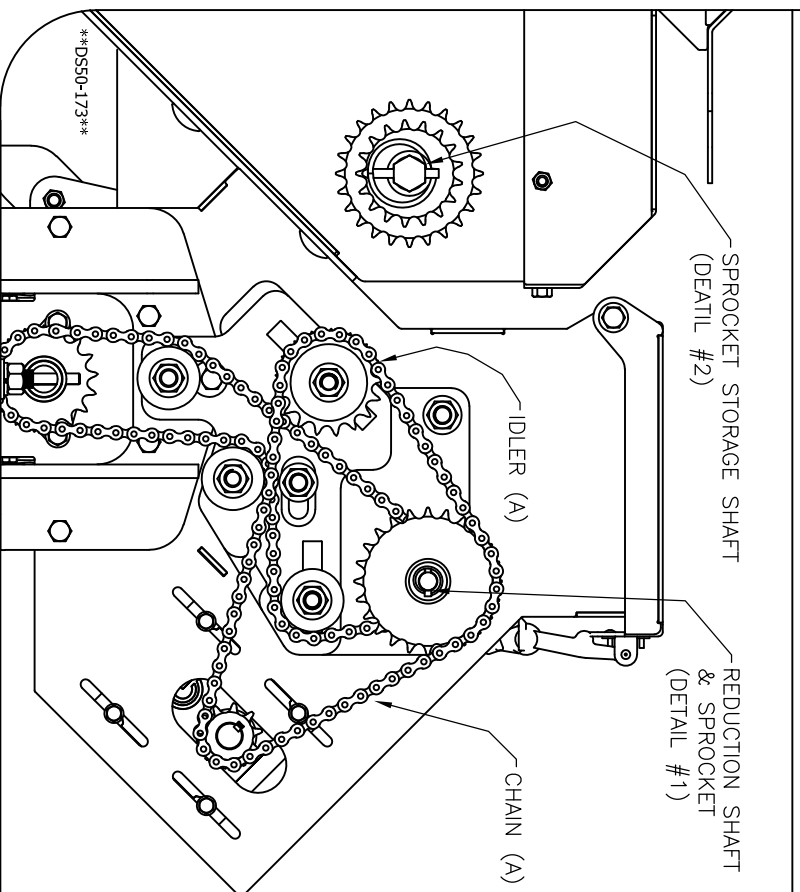


SPROCKET CHANGE PROCEDURE: AUXILIARY

- 1) ENSURE MULTI-dRILL IS SWITCHED OFF AND POWER SOURCE IS DISCONNECTED
- 2) REMOVE CHAIN GUARD, THEN LOOSEN IDLER (A) TENSION AND REMOVE CHAIN (A)
- 3) REMOVE LYNCH PIN, WASHER AND CURRENT REDUCTION SPROCKET (DETAIL #1)
- 4) REMOVE DESIRED REDUCTION SPROCKET FROM STORAGE SHAFT (DETAIL #2)
- 5) INSTALL DESIRED REDUCTION SPROCKET, SPACER & LYNCH PIN ON TO REDUCTION SHAFT
- 6) PLACE PREVIOUSLY USED REDUCTION SPROCKET ON STORAGE SHAFT.
- 7) RE-INSTALL CHAIN (A), ADJUST AND RE-TENSION IDLER (A), THEN RE-INSTALL CHAIN GUARD.



DSS0-173